

FIELDQUIP®

...a cut above the rest!



RETAIL PRICE LIST

EFFECTIVE - 21ST OCTOBER, 2022

DISCOVER THE DIFFERENCE AT FIELDQUIP

Fieldquip Pty Ltd is located in Oakey on the Darling Downs and is a member company of the global Alamo Group.

At Fieldquip we are dedicated to providing robust, innovative and market leading equipment for vegetation management and agriculture.

We pride ourselves in being the category killer of slashing and mowing equipment, providing the most comprehensive range in Australia.

Our range covers slashing implements from 4 feet to 40 feet wide, flail mowers, reach mowers, remote control mowers, pasture toppers, finishing mowers to list a few.

Fieldquip is also well known for its extensive range of quality lifestyle implements. Fieldquip commenced manufacturing in June 2004 and today, 14 years on, we are still manufacturing quality implements in Australia. Fieldquip became a member company of the Alamo Group from USA in April 2014, along with our locally manufactured products we are now sourcing implements from our sister companies in the UK and USA significantly broadening our product offering.

MISSION...

Our mission is to provide quality implements that are reliable, value for money and exceed the expectations of tractor owners and operators throughout Australia and the South Pacific.

VISION...

For every tractor owner in Australia and the South Pacific to be the proud owner of at least one Fieldquip Implement.

WE TAKE RESPONSIBILITY FOR QUALITY...

Fieldquip implements and services will be "a cut above the rest". We will deliver excellence, strive for continuous improvement and respond vigorously to change. Each member of the team is responsible for the quality of whatever we do.

WE DELIVER CUSTOMER SATISFACTION...

We are dedicated to satisfying our customers. We believe in always respecting our customers, listening to their requests and understanding their expectations. We will strive to exceed their expectations in affordability, quality and on-time delivery.

WE PROVIDE LEADERSHIP AS A COMPANY AND AS INDIVIDUALS...

Fieldquip's leadership is founded on our diligent employees' abilities in effectively applying their training, innovativeness and business management skills. We add more value at lower cost with faster response. We each lead in our competence, creativity and teamwork.

WE ACT WITH INTEGRITY IN ALL WE DO...

We are all individually responsible for upholding utmost standards of behaviour, including honesty and fairness in all aspects of our work. We accomplish our commitments as responsible citizens and employees. We will consistently treat our customers, the community and company property with the respect they deserve.

WE VALUE FIELDQUIP AUSTRALIA PEOPLE...

We treat one another with high respect and mutually discuss, collaborate, listen and share information and ideas. We offer education and training needed to help our people grow in their knowledge and skill. We are committed to honesty and trust in all relationships.

WE CONSIDER OUR SUPPLIERS AS VITAL TEAM MEMBERS...

We owe our suppliers the same respect that we show to our customers. Our suppliers deserve fair and reasonable treatment, clear agreements and honest feedback on their performance and support. We consider for our suppliers' requirements in conducting all aspects of our business.



FIELDQUIP®

...a cut above the rest!



SINGLE ROTOR SLASHERS 2

MULTI SPINDLE SLASHERS/MULCHERS 5

FLEX WING SLASHERS 8

FINISHING MOWERS 17

MULTI DECK FINISHING MOWERS 22

PASTURE TOPPERS 23

RADIO CONTROL MOWERS 25

REACH MOWERS 27

CULTIVATORS 28

POST HOLE DIGGERS 28

TILLERS 30

GRADER BLADES 31

IMPLEMENTS 34

SABRE SERIES SLASHERS

- Suits 18 - 40HP tractors.
- SABRE range of offsettable rotary slashers.
- 5mm galvanised deck.
- Cat I.
- Adjustable skids.
- Floating top link.
- PTO driveshaft.
- Friction clutch.
- Front and rear chain guards.
- Gearbox available in red or yellow.



SABRE 1500 SHOWN WITH STANDARD FEATURES

Model	Overall Width	Cutting Width	Weight	HP (Min.)	RRP ex GST	RRP inc GST
SBR12-500	1.2m	1.1 m (3'6")	180	18	\$2,675.00	\$2,942.50
SBR15-500	1.5m	1.4 m (4'6")	250	20	\$2,975.00	\$3,272.50
SBR18-500	1.87 m	1.8 m (6")	295	30	\$3,950.00	\$4,345.00

OPTIONS

	RRP EX. GST	RRP INC. GST
Combination Friction and Overrun Clutch	\$389.00	\$427.90
50 HP Gearbox Option (50 HP standard on SBR18-500)	\$465.00	\$511.50
Wheelkit (adjustable)	\$595.00	\$654.50

LE SERIES 75HP SLASHERS

- Suits 30 - 75HP tractors.
- 5mm galvanised deck.
- Cat I & II.
- Adjustable skids.
- Pivoting headstock with chain backstays.
- PTO driveshaft.
- Friction clutch.
- Front and rear chain guards.
- Gearbox available in red or yellow. Other colours available on request.



LE-80 SHOWN WITH STANDARD FEATURES

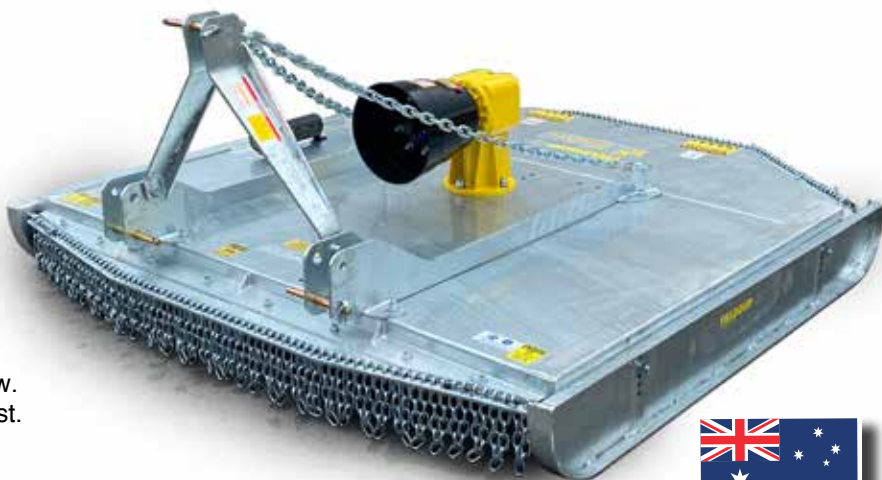
Model	Working Width	Weight	HP (Min.)	Finish	RRP ex GST	RRP inc GST
LE50-920	1.2m (4')	285	75	Galvanised Deck	\$4,995.00	\$5,494.50
LE60-920	1.5m (5')	350	30	Galvanised Deck	\$4,995.00	\$5,494.50
LE70-920	1.8m (6')	420	45	Galvanised Deck	\$5,495.00	\$6,044.50
LE80-920	2.0m (6'8")	500	50	Galvanised Deck	\$6,995.00	\$7,694.50

OPTIONS

	RRP EX. GST	RRP INC. GST
Combination Friction and Overrun Clutch	\$505.00	\$555.50
Wheelkit (adjustable)	\$995.00	\$1,094.50

XLE SERIES 100HP SLASHERS

- Suits 60 - 100 HP tractors.
- 5mm galvanised deck.
- Cat I & II.
- Adjustable skids.
- Pivoting headstock with chain backstays.
- PTO driveshaft.
- Friction clutch.
- Front and rear chain guards.
- Gearbox available in red or yellow. Other colours available on request.



XLE SHOWN WITH STANDARD FEATURES

Model	Working Width	Weight	HP (Min.)	Finish	RRP ex GST	RRP inc GST
XLE60-920	1.5 m (5')	360	60	Galvanised Deck	\$5,795.00	\$6,374.50
XLE70-920	1.8 m (6')	430	60	Galvanised Deck	\$6,295.00	\$6,924.50
XLE80-920	2.0 m (6'8")	510	60	Galvanised Deck	\$7,795.00	\$8,574.50

OPTIONS

RRP EX. GST

RRP INC. GST

Wheelkit (adjustable).....	\$995.00	\$1,094.50
----------------------------	----------	-------------------

XHD SERIES SLASHERS

- 150HP 540 RPM high-speed gear-box.
- Multi-plate, asbestos free, brass impregnated friction clutch.
- Heavy duty monocoque pressed 6mm deck plate.
- Clean body lines to minimise grass build up.
- Hot dipped galvanised deck.
- Pivoting headstock with chain backstays.
- Adjustable height, high clearance skids.
- Heavy duty spring steel blade carrier.
- Heavy duty swing back lift blades.
- Front and rear chain guards.
- Adjustable height castor wheels.



XHD84 SHOWN WITH ALL STANDARD FEATURES

- Painted components finished in high quality durable two pack polyurethane.
- Painted components available in red or green. Other colours available on request.

Model	Working Width	Weight	HP (Min.)	Finish	RRP ex GST	RRP inc GST
XHD72	1.8 m (6')	700	50	Galvanised Deck	\$13,495.00	\$14,844.50
XHD84	2.15 m (7')	880	70	Galvanised Deck	\$16,495.00	\$18,144.50

OPTIONS FOR XHD - SEE PAGE FOUR

LXCT SERIES SLASHERS



LXCT8B SLASHER

- TPL Cat I and II.
- Heavy duty Flex Tower.
- Laminated spring steel blades and beams.
- High speed extreme duty gearbox 150 HP.
- 4 plate clutch protection.
- Rear stone guard.
- Adjustable skids.
- Front and rear safety chains.
- 300 mm side depth.
- 6 mm clean top design.
- Side plates also 6mm.
- Single 500 x 10 monofill castor wheels for LXCT6.
- Twin 500 x 10 monofill castor wheels for LXCT7 and LXCT8.
- Galvanised as standard with painted trim.
- Optional safety stands.

Model	Working Width	Weight	HP (Min.)	RRP ex GST	RRP inc GST
LXCT6B	1.8 m (6')	850 kg	70	\$21,995.00	\$24,194.50
LXCT7B	2.15 m (7')	980 kg	80	\$23,995.00	\$26,394.50
LXCT8B	2.35 m (7'10")	1,080 kg	100	\$25,995.00	\$28,594.50

OPTIONS FOR XHD AND LXCT SERIES

	RRP EX. GST	RRP INC. GST
Offset 200 mm to the right - MUST be specified when ordering	\$750.00	\$825.00
Sign Rack (complete with 4 signs)	\$1,775.00	\$1,952.50
Tool Box	\$1,250.00	\$1,375.00
Support Legs	\$750.00	\$825.00
Hydraulic Fan	\$4,895.00	\$5,384.50
Rear Lights	\$485.00	\$533.50
Extra Wheelkit for XHD72 and LXCT6B	\$1,295.00	\$1,424.50

LCL SERIES SIDE THROW ORCHARD MOWER



LCL7

- TPL Cat I and II.
- Available in 1.8m, 2.1 m.
- Flex Tower.
- Heavy duty rear castor.
- Ideal for orchards.

The LCL Series side discharge rotary slasher is a must have in every orchard. The LCL Series directs the grass clippings easily and efficiently under the tree line. Many orchardists have proved that depositing grass clippings under the trees aids in moisture retention and establishment of good bacteria. This in turn can help in the health of the trees and thus increase the yield.

The LCL comes standard with a 75 HP gearbox and can be optioned up with a 100 HP gearbox. The LCL Series has a heavy duty 5 mm galvanised deck construction, heavy duty floating A-frame, friction clutch, adjustable side shoot, two front adjustable rollers and a single adjustable tail wheel.

This is a truly robust side discharge slasher and is available in 1.8m and 2.1 m cutting widths.

Model	Working Width	Weight	HP (Min.)	RRP ex GST	RRP inc GST
LCL6	1.8 m (6')	650 kg	65	\$16,495.00	\$18,144.50
LCL7	2.15 m (7')	750 kg	75	\$16,995.00	\$18,694.50

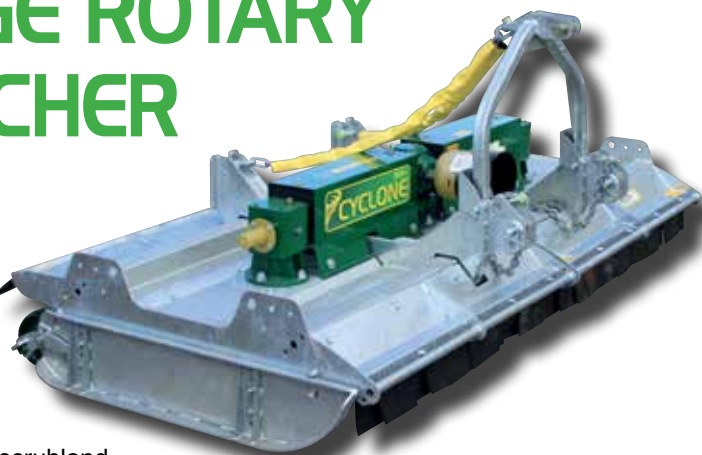
OPTIONS

	RRP EX. GST	RRP INC. GST
Extra wheel kit to suit LCL6 and LCL7	\$984.50	\$1,082.95

Photos may contain optional extras. All prices are ex-works (Oakey Qld). Prices and specifications may change without notice.

CYCLONE RANGE ROTARY SLASHER/MULCHER

(with Rear Roller)



The award winning range of Cyclone Mowers has been designed to do the work of a flail mower but requires a fraction of the power and fuel that a flail mower would consume.

These machines are strong, rugged and robust; specifically designed for use in set-aside, forestry margin management and sensitive environmental scrubland control. This machine easily copes with the toughest of conditions including shrub, saplings, gorse and brush. It is ideal for the clearance of arable stubble, maize and rapeseed crops.

Strenx™ 700 MC high-strength steel is used in the manufacture of these machines. This material is stronger than steel traditionally used in machinery manufacturing. The undersole discs are produced from Hardox® 450, a wear and abrasion resistant steel.

- Can be front or rear mounted (to be specified when ordering).
- Patented 'blender' double chop blade system.
- 25% less power and fuel consumption required than a similar sized flail machine.
- Impact shock reducing swinging hardened spring steel blades.
- Low maintenance machine with less wearing parts than a flail mower.
- Heavy duty rear roller.

Model	Working Width	Weight	HP	PTO rpm	Rotors	RRP ex GST	RRP incl GST
MJ30-200	2.0 m (6'5")	600 kg	50-100	540/1000	3	\$19,965.00	\$21,961.50
MJ31-250	2.50 m (8'1")	785 kg	70-120	1000	4	\$22,750.00	\$25,025.00
MJ31-280	2.80 m (9'2")	945 kg	80-120	1000	4	\$24,550.00	\$27,005.00
MJ30-350 Single Wing	3.50 m (11'5")	1120 kg	90-140	1000	5	\$38,770.00	\$42,647.00
MJ30-420 Single Wing	4.2 m (13'9")	1265 kg	100-150	1000	6	\$44,350.00	\$48,785.00
MJ30-420 Double Wing	4.2 m (13'9")	1265 kg	100-150	1000	6	\$54,690.00	\$60,159.00
MJ30-560	5.60 m (18'4")	1680 kg	110-150	1000	8	\$67,990.00	\$74,789.00
MJ30-630	6.30 m (20'8")	1875 kg	140-190	1000	9	\$72,990.00	\$80,289.00
MJ30-720	7.20 m (23'6")	2235 kg	150-210	1000	10	\$89,950.00	\$98,945.00
MJ30-920 standard with front mounted wheels and full width rollers on the rear	9.0 m (29'5")	3099 kg	180-250	1000	10	\$136,950.00	\$150,645.00



Photos may contain optional extras. All prices are ex-works (Oakey Qld). Prices and specifications may change without notice.

CYCLONE RANGE ROTARY SLASHER/MULCHER

(with Rear Wheels)

The MJ30-420DWW Cyclone has been designed especially for the macadamia industry.

The twin wing centrally mounted 4.2m Cyclone complete with rear wheels is the result of many farm visits, trials and listening to growers needs.

Macadamia growers were after a robust three point linkage, folding wing mulching slasher.

Furthermore they needed rear castor wheels in lieu of rollers so they can mow and not press the valuable macadamias into the ground.

The award-winning Cyclone mower ticks all the boxes as well as offering durability, reliability and efficiency.

Longevity is another great feature of the Cyclone having been manufactured from Stenx™ 700 MC high strength steel.

Whilst this machine evolved from requests from macadamia growers the uses have now extended into maintenance of solar farms, traditional pasture topping, clearing crop stubble and many other slashing applications.

These rotary slasher/mulchers are designed for the most rugged working environments offering reduced power consumption and maintenance when compared with traditional flail mulchers.

Model	Working Width	Weight	HP	PTO rpm	Rotors	RRP ex GST	RRP incl GST
MJ30-420 double wing with rear wheels	4.20 m (13'9")	1265 kg	100-150	1000	6	\$57,790.00	\$63,569.00
MJ30-560 with rear wheels	5.60 m (18'4")	1680 kg	110-150	1000	8	\$69,990.00	\$76,989.00
MJ30-630 with rear wheels	6.30 m (20'6")	1875 kg	140-190	1000	9	\$75,990.00	\$83,589.00
MJ30-720 with rear wheels	7.20 m (23'6")	2235 kg	150-210	1000	10	\$103,500.00	\$113,850.00



GEARMOWER SERIES SLASHERS

HEAVY DUTY 3 ROTOR SLASHERS

- Gear drive rear discharge slasher.
- Cat I & II.
- Adjustable skids.
- PTO driveshaft.
- Multi plate asbestos free brass impregnated friction clutch.
- GM300-900 – Heavy duty monocoque pressed 6 mm deck plate.
- GM36-900 – Heavy duty monocoque pressed 8 mm deck plate.
- Clean body lines to minimise grass build up.
- Pivoting headstock with chain backstays.
- Adjustable height high clearance skids.
- Extra heavy duty spring steel laminated blade carrier.
- Heavy duty swing back heat treated lift blades.
- Front and rear chain guards.
- Twin heavy duty adjustable height rear castor wheels.
- Galvanised deck standard.
- Painted components available in red or green. Other colours available on request.



GEARMOWER GM30-900

Model	Gearbox Rating	Working Width	HP (Min.)	RRP ex GST	RRP inc GST
GM30-900	150HP	3.0m (10')	75	\$26,990.00	\$29,689.00
GM36-900	150HP	3.6m (12')	100	\$29,470.00	\$32,417.00

OPTIONS

	RRP EX. GST	RRP INC. GST
Mulching Option - standard blade carrier double stacked fitted with 2 stepped and 2 straight blades per rotor add.....	\$790.00/rotor	\$869.00/rotor



CS PRO COMPACT TWIN ROTOR SLASHERS

- Unique blade system for maximum mulching and shredding
- Low maintenance machine with less wearing parts than a flail mower
- Heavy duty full-length rear roller
- Can be front or rear mounted (to be specified when ordering)
- Multi-purpose mower; ideal for everyday turf maintenance, heavy scrub and stubble management, hedgerow undergrowth



The MAJOR CS Pro is a multi-purpose mower, designed for the maintenance of dense vegetation, long grass and estate lawns and fine turf. The patented double-chop blade system requires less HP than a comparable width flail mower. High-performance Strenx™ 700 MC structural steel makes these mowers strong and ensures a long wear life.

Model	Working Width	Weight	HP	Rotors	RRP ex GST	RRP incl GST
MJ65-150	1.45 m (4'9")	290 kg	20	2	\$11,765.00	\$12,941.50

RHINO TS SERIES FLEX WING SLASHERS

- Equal angle pivoting tongue and direct acting suspension system for uneven terrain.
- Designed for tractors with 35 - 60 PTO HP.
- Short turning radius for small areas.
- 38mm cutting capacity.
- Smooth decks for easy cleaning and unobstructed underside for airflow through the high volume cutting chamber.
- Low tongue weight for smaller horsepower tractor applications.
- Provides dramatic reduction in mowing time compared to most rigid deck cutters.
- Unique "wing-bar" blade carrier protects the gearbox output shaft with minimal weight.
- Large center section skid shoes and tapered wing shoes provide anti-scalping protection.
- Designed for 540 RPM PTO tractors.
- Chain guards included for protection.

Model	Working Width	Weight	HP (Min.)	Finish	RRP ex GST	RRP inc GST
TS12-01	3.6m (12')	1247 kg	35	Orange Powder Coat	\$33,985.00	\$37,383.50



Photos may contain optional extras. All prices are ex-works (Oakey Qld). Prices and specifications may change without notice.

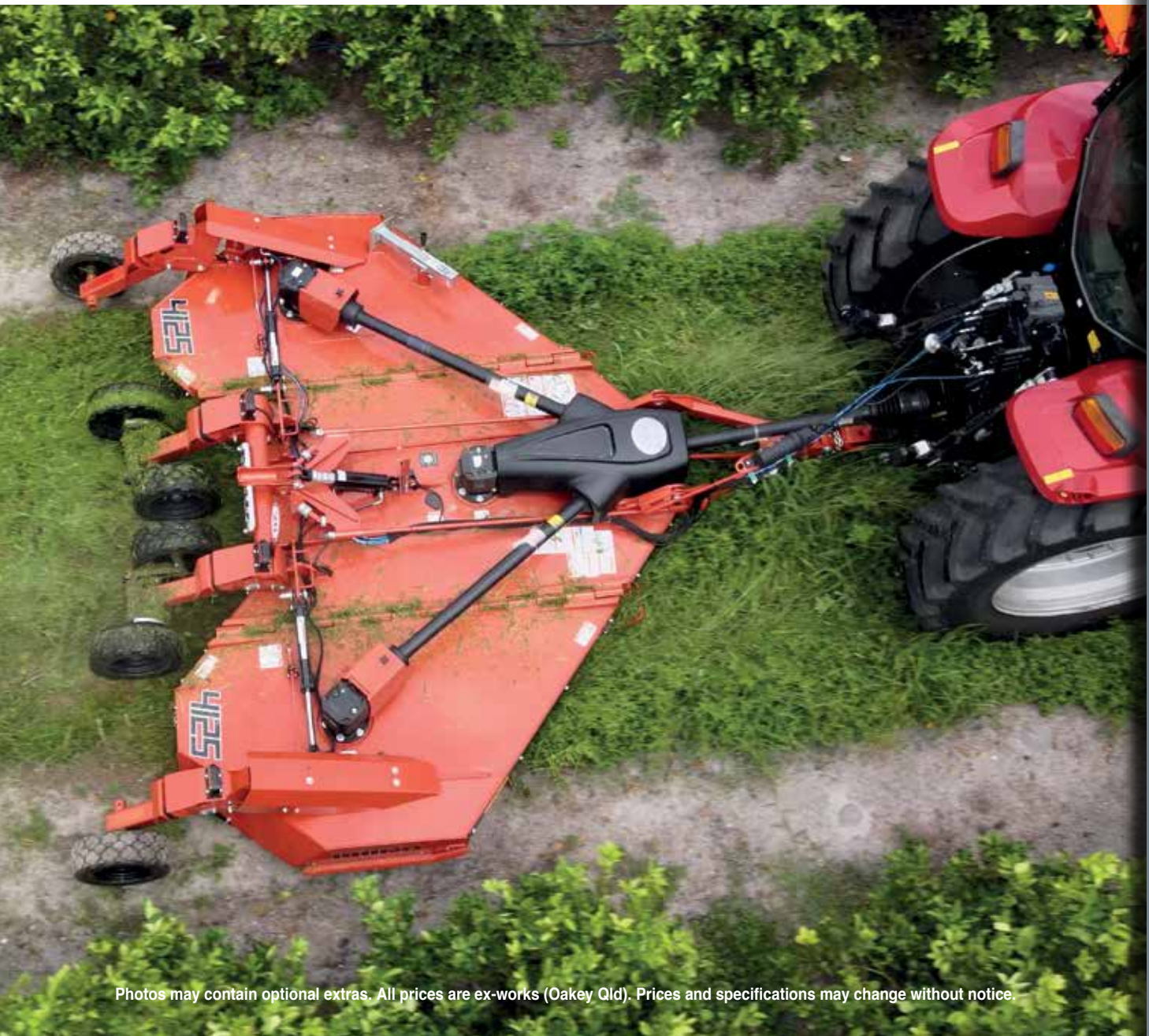
RHINO EPIC 4125 SERIES FLEX WING SLASHERS

- Heavy-duty 3.8m (12 1/2') commercial-grade rotary cutter Ideal for commercial mowing, heavy-duty agriculture use, roadsides and firebreaks etc.
 - Heavy-duty wing pivot hinges engineered to take the daily stresses of the job
 - 4" cutting capacity ensures you can make short work of prunings and regrowth
 - Designed for tractors with 50 - 160 PTO HP
 - Massive, replaceable skid shoes protect the underside of the slasher
 - Independent axle suspension delivers a smoother ride and reduces wear and tear
 - Optional Orchard Package available to protect low-lying branches from catching in the hydraulic cylinders
- (Image below shows the 4125 fitted with optional Orchard Package)*

Model	Working Width	Weight	HP (Min.)	Finish	RRP ex GST	RRP inc GST
4125	3.7m (12'5)	181 kg	50	Powder Coat	\$49,500.00	\$54,450.00

OPTIONS

	RRP EX. GST	RRP INC. GST
Optional Orchard Package	\$1,165.00	\$1,281.50



RHINO APEX 3150 SERIES FLEX WING SLASHERS

- 4.5m (15') cutting widths.
- 160 HP gearboxes.
- Farm use.
- General mowing.
- Pasture maintenance.
- Roadside mowing.
- Shredding stalks.
- Smooth top design for easy cleaning of deck.
- Standard 540 RPM (1000 RPM available).



Model	Working Width	Weight	HP (Min.)	Finish	RRP ex GST	RRP inc GST
3150-01	4.5m (15')	2355 kg	50	Orange Powder Coat	\$55,620.00	\$61,182.00

STANDARD FEATURES -



UNIQUE BLADE PAN CARRIER

Strong and durable stump jumper. Creates excellent air flow.



LED LIGHT KIT

State of the art LED's are incorporated into a sleek highly durable housing that will provide years of trouble free protection and safety.



PIVOT HITCH

Unique locking clevis device for ease of hooking up.



SMOOTH DOME DECK

Less clutter, easy to clean with larger cutting chamber.



INDEPENDENT SUSPENSION

Simple, no moving parts.



SAFETY COVER

Quick access for easy maintenance.

Photos may contain optional extras. All prices are ex-works (Oakey Qld). Prices and specifications may change without notice.

RHINO EPIC 4150 SERIES FLEX WING SLASHERS

- 250 HP gearboxes.
- 4.5 m (15') cutting widths.
- Suitable for clearing brush up to 100mm in diameter.
- Commercial mowing.
- Farm use.
- General mowing.
- Heavy-duty agricultural use.
- Industrial mowing.
- Pasture maintenance.
- Right-of-way mowing.
- Roadside mowing.
- Shredding crops.
- Shredding stalks.
- Smooth top design.
- 4.5mm deck thickness.
- Standard 540 RPM (1000 RPM available)



Model	Working Width	Weight	HP (Min.)	Finish	RRP ex GST	RRP inc GST
4150-01	4.5 m (15')	2447 kg	60	Orange Powder Coat	\$67,500.00	\$74,250.00

STANDARD FEATURES -



UNIQUE BLADE PAN CARRIER
Strong and durable stump jumper. Creates excellent air flow.



LED LIGHT KIT
State of the art LED's are incorporated into a sleek highly durable housing that will provide years of trouble free protection and safety.



PIVOT HITCH
Unique locking clevis device for ease of hooking up.



SMOOTH DOME DECK
Less clutter, easy to clean with larger cutting chamber.



INDEPENDENT SUSPENSION
Simple, no moving parts.



SAFETY COVER
Quick access for easy maintenance.

RHINO ICON 5150 SERIES FLEX WING SLASHERS

SUPER DUTY
 • 250HP Gearboxes
 • 6.25 mm Deck Thickness



- 250 HP gearboxes.
- 4.5m (15') cutting widths.
- 6.25mm thick super duty deck.
- Suitable for clearing brush up to 127 mm in diameter.
- Commercial mowing.
- Heavy-duty agricultural use.
- Industrial mowing.
- Right-of-way mowing.
- Smooth top design.
- Standard 540 RPM (1000 RPM available).

Model	Working Width	Weight	HP (Min.)	Finish	RRP ex GST	RRP inc GST
5150-01	4.5 m (15')	2556 kg	70	Orange Powder Coat	\$74,500.00	\$81,950.00

STANDARD FEATURES -



UNIQUE BLADE PAN CARRIER
 Strong and durable stump jumper. Creates excellent air flow.



LED LIGHT KIT
 State of the art LED's are incorporated into a sleek highly durable housing that will provide years of trouble free protection and safety.



PIVOT HITCH
 Unique locking clevis device for ease of hooking up.



SMOOTH DOME DECK
 Less clutter, easy to clean with larger cutting chamber.



INDEPENDENT SUSPENSION
 Simple, no moving parts.



SAFETY COVER
 Quick access for easy maintenance.

RHINO 6200 SERIES FLEX WING SLASHERS

- 6m Cutting Width
- 250HP Gearboxes

- Mowing heavy grass and weeds.
- Three blade carrier choices.
- Deck rings included as standard.
- Easy to clean.
- Standard 540 RPM (1000 RPM available).



FLEX WING SLASHERS

- Heavy duty 6200 Flex Wing Rotary Cutters!
- Divider gearbox rated for 250HP, with outboard boxes rated at 225HP, each with a 6-year limited warranty!
- Category 6 CV main drive and Category 6 wing drivelines are standard, with 2 year limited driveline warranty!
- Smooth top center deck is one of the strongest and easiest to clean of any cutter in the industry!
- Obstruction-free underside of deck for enhanced airflow in the cutting chamber to distribute cut material evenly.
- 114mm diameter cut capacity and fast blade tip speeds for a clean cut in heavy mowing applications!
- Three blade carrier choices are available to match your application needs.
- Available with 540 or 1000 RPM drives.
- Deck rings included as standard.

Model	Working Width	Weight	HP (Min.)	Finish	RRP ex GST	RRP inc GST
6200-01	6.0m (20')	3580kg	80	Orange Powder Coat	\$86,900.00	\$95,590.00

Photos may contain optional extras. All prices are ex-works (Oakey Qld). Prices and specifications may change without notice.

MULTICUT 460

FLEX WING SLASHERS

The Multicut 460 has an award winning heritage of reliability and performance that sets it apart from the rest. Each rotor carries three high-lift swinging blades to provide an exceptionally clean cut and even spread of material.

The robust, spring steel blades will produce a fine finish on amenity parkland and paddocks or cut and mulch heavy set-aside and light scrub with ease.

The durability designed into this mower makes it the first choice of intensive users throughout the world where reliability is paramount.

- 4.6 metre cutting width
- 70hp minimum tractor power requirement
- Heavy duty 250hp input gearbox
- Heavy duty 116 hp and 111 hp rotor gearboxes
- Slip clutch protection
- 8 pneumatic rear wheels
- Anti-scalp rotor protection dishes
- 9 x heavy duty cutting blades (3 per rotor)
- Floating wings
- Rear lighting kit

Model	Working Width	Weight	HP (Min.)	Rotors	RRP ex GST	RRP inc GST
MULTICUT 460 (1000RPM)	4.6m (15'1")	2310 kg	70	3	\$64,900.00	\$71,390.00



MULTICUT 620 FLEX WING SLASHERS

The extra output Multicut 620 folding wing mower sets the standards in cutting performance with a total of 15 heavy duty cutting blades as standard ensuring the finest chop in fine grasses through to light scrub.

The evenness of spread from the five rotors is unrivalled leaving a clean finish and high output unmatched by competitive three rotor machines of the same width.

With a six gearbox driveline, each with slip clutch protection, the power is evenly spread to deliver exceptional reliability and durability. The high output 6.2 metre cutting width enables over 6 hectares per hour to be cleared and the compact 2.8 metre transport width ensures that transport between sites is safe and efficient.

- 6.2 metre cutting width
- 90hp minimum tractor power requirement
- Heavy duty 250hp input gearbox
- Heavy duty 116hp and 111hp rotor gearboxes
- Slip clutch protection
- 8 pneumatic rear wheels
- Anti-scalp rotor protection dishes
- 15 x heavy duty cutting blades (3 per rotor)
- Floating wings
- Rear lighting kit

Model	Working Width	Weight	HP (Min.)	Rotors	RRP ex GST	RRP inc GST
MULTICUT 620	6.2m (20'4")	2850 kg	90	5	\$86,900.00	\$95,590.00



MULTICUT 820

FLEX WING SLASHERS

When it comes to performance the high output Multicut 820 will go way beyond your expectations delivering a massive 8.2 metres of cutting width to effectively eat your way through the workload.

Match the Multicut 820 with a powerful tractor and output upwards of 90 hectares per day is achievable.

The Multicut 820 is robust in construction like its smaller Multicut 620 and Multicut 460 siblings, and in addition is also configured with full width walking axles and hydragas suspension to reduce shock loading. Featuring a six gearbox driveline, each with slip clutch protection, the power is evenly spread to deliver exceptional reliability and durability across the full cutting width.

- 8.2 metre cutting width
- 150hp minimum tractor power requirement
- Heavy duty 250hp input gearbox
- Heavy duty 141hp and 111hp rotor gearboxes
- Slip clutch protection
- 8 pneumatic rear wheels
- Anti-scalp rotor protection dishes
- 15 x heavy duty cutting blades (3 per rotor)
- Floating wings
- Rear lighting kit

Model	Working Width	Weight	HP (Min.)	Rotors	RRP ex GST	RRP inc GST
MULTICUT 820	8.2m (26'11")	4330 kg	150	5	\$127,500.00	\$140,250.00



MJ71 SWIFT SERIES FINISHING MOWERS

RIGID DECK, THREE POINT LINKAGE

The MAJOR Swift MJ70-190 and 240 are rigid deck mowers designed for everyday use where a durable, reliable mower is required. This is a low maintenance mower that delivers a professional cylinder mower finish every time.

It is quick and easy to attach to the tractor to increase mowing times. The simple height adjustment can be selected from 10 mm to 130 mm to suit the working conditions, making this a really versatile mower. Strenx™ 700 MC high-strength steel is used to manufacture this mower.

- Quick height adjustment system.
- Gear driven driveline, eliminates the problems associated with belt driven mowers.
- Internal roller bearings give total protection against moisture and soil.
- Full width rollers allow the machine to follow the ground contours perfectly to give a professional striped finish.
- All Swift mowers go through a rigorous shot blasting process before painting, for long life painted finish.
- Wash down hose feature (applies to all Swift mowers).
- Optional scraper bar (applies to all Swift mowers).

Model	Working Width	Weight	HP (Min.)	PTO rpm	Rotors	Cutting Height	RRP ex GST	RRP incl GST
MJ71-190	1.9 m (6'3")	475 kg	25-70	540	3	10-130 mm	\$16,495.00	\$18,144.50
MJ71-240	2.4 m (8')	560 kg	30-80	540	4	10-130 mm	\$20,450.00	\$22,495.00



Photos may contain optional extras. All prices are ex-works (Oakey Qld). Prices and specifications may change without notice.

MJ71 SWIFT SERIES FINISHING MOWERS

WINGED, THREE POINT LINKAGE

The MAJOR winged 3 point linkage Swift roller mowers are high-output machines, suitable for the maintenance of parks, schools and sports grounds. The high blade tip speeds of 90 m/s give a perfect professional striped finish every time.

The wings fold neatly behind the tractor for safe transportation and allows entrance to sites where access is an issue.

- Walterscheid PTO driveshafts fitted as standard.
- Wing lock for safe road transportation.
- Sits tight behind the tractor making towing easy and allows tighter turning circles.
- Two blade systems in one: a simple adjustment converts your blade from rigid blade to swinging blade.
- Strenx™ 700 MC high-strength steel is used to manufacture this mower. The overall weight of the machine is lighter than equivalent width mowers on the market, without compromising on build quality.
- LED road lighting kit.

Model	Working Width	Weight	HP (Min.)	PTO rpm	Rotors	Cutting Height	RRP ex GST	RRP incl GST
MJ71-340	3.4 m (11'2")	940kg	40-90	540	5	10-130 mm	\$36,995.00	\$40,694.50
MJ71-400	4.0 m (13'1")	1130 kg	50-100	540	6	10-130 mm	\$45,750.00	\$50,325.00
MJ71-540	5.4 m (17'7")	1310 kg	70-120	540	8	10-130 mm	\$59,995.00	\$65,994.50



MJ71 SWIFT SERIES FRONT MOUNT FINISHING MOWERS

RIGID AND WINGED, FRONT MOUNTED

The MAJOR Swift front mounted range offers a rigid and winged version. These mowers are suitable for mowing in a variety of locations including military bases, airfields and race courses.

There is 100% overview from the tractor cab making these mowers a great option where visibility is an issue.

The MAJOR front mounted mowers can be used in conjunction with the rear mounted roller mowers for increased mowing capacity or for single pass operation.

- No wheel markings.
- Gear driven driveline, eliminates the problems associated with belt driven mowers.
- Internal roller bearings give total protection against moisture and soil.
- Full width rear roller ease of operation and to allow the machine to follow ground contours.
- 6 PLY tyre on the castor wheel for extra durability.

Model	Working Width	Weight	HP (Min.)	PTO rpm	Rotors	Cutting Height	RRP ex GST	RRP incl GST
MJ70-190F	1.9 m (6'3")	455 kg	25-70	1000	3	10-130 mm	\$18,295.00	\$20,124.50
MJ71-240F	2.4 m (8')	558 kg	30-80	1000	4	10-130 mm	\$21,275.00	\$23,402.50
MJ71-340F	3.4 m (11'2")	905 kg	40-90	1000	5	10-130 mm	\$41,195.00	\$45,314.50
MJ71-400F	4.0 m (13'1")	1100 kg	50-100	1000	6	10-130 mm	\$45,750.00	\$50,325.00



MJ71 SWIFT SERIES TRAILED FINISHING MOWERS

WINGED, TRAILED

The MAJOR Swift Trailed roller mower boasts all the features and benefits of the MAJOR 3 point linkage winged version, but with a trailed configuration. This mower is ideal for contractors, turf farms, local authority use and any customer with significant travelling between sites.

High specification LED road lighting is supplied as standard for safe road transportation. To ensure legality of your mower whilst using public highways, brakes are fitted as standard unlike similar mowers on the market. These mowers can be lifted up whilst travelling to avoid kerbs or other obstacles, without having to stop the tractor.

- LED road lighting kit.
- Fully braked for safe and legal road work.
- Kerb lift.
- Walterscheid wide angle PTO driveshaft supplied as standard.
- Gear driven: mows in a variety of grass lengths.

Model	Working Width	Weight	HP (Min.)	PTO rpm	Rotors	Cutting Height	RRP ex GST	RRP incl GST
MJ71-400T	4.0m (13'1")	1100kg	50-100	540	6	10-130mm	\$57,195.00	\$62,914.50
MJ71-540T	5.40m (17'9")	1270kg	70-120	540	8	10-130mm	\$68,500.00	\$75,350.00



MR SERIES FINISHING MOWERS

The MAJOR Finishing Mower is suitable for cutting in large lawns, estates, parks, golf courses and municipal maintenance.

It is easily connected to the tractors' 3 point linkage to have the machine ready for operation in minutes.

- Overlapping blades.
- Adjustable working depth.
- Two belt transmission with tensioner.
- Four pivoting rubber wheels.
- Maintenance points are positioned to the top of the machine for operator safety.



Model	Working Width	Weight	HP (Min.)	PTO rpm	Cutting Height	RRP ex GST	RRP incl GST
MR150	1.5 m (5')	210 kg	15-60	540	20-100 mm	\$6,495.00	\$7,144.50
MR180	1.83 m (6')	245 kg	20-75	540	20-100 mm	\$6,995.00	\$7,694.50
MR235	2.35 m (8')	310 kg	30-100	540	20-100 mm	\$8,995.00	\$9,894.50



Photos may contain optional extras. All prices are ex-works (Oakey Qld). Prices and specifications may change without notice.

CONTOURA MULTI-DECK FINISHING MOWERS

The Major Contoura Mower is a durable and versatile solution for the maintenance of challenging and undulating terrains. The robust frame coupled with the three mowing decks, allow the machine to glide over ground contours, to give a consistent and unrivalled quality-of-cut.

This mower gives efficient mowing, even on dense grass. The cutting height can easily be adjusted from 10 - 110mm making it ideal for fairway and rough turf maintenance and delivers professional turf striping every time. Strenx™ 700 MC high-strength steel is used to manufacture this mower.

- Unique pivoting frame with self-aligning spherical bearings, allow the mowing decks to follow the ground contours with ease.
- Kerb lift: the mowing decks can be raised off the ground to avoid obstacles, without disengaging the PTO.
- Zero turn capability allows tight turns or mowing around obstacles without turf damage.
- Full width rollers follow undulations to give a consistent cut, in both hilly and less challenging terrains.
- Gear driven driveline, eliminates the problems associated with belt driven mowers.
- Internal roller bearings give total protection against moisture and soil.
- Two blade systems in one: a simple adjustment converts your blade from rigid blade to swinging blade.

Model	Working Width	Weight	HP (Min.)	PTO rpm	Rotors	Cutting Height	RRP ex GST	RRP incl GST
MJ75-360	3.67 m (12')	1395 kg	45-75	540	6	10-110 mm	\$64,990.00	\$71,489.00



TRAILED OFFSET TOPPER SERIES

- Full hydraulic offset control.
- Hydraulic breakaway system.
- Wide angle PTO shaft.
- Twin-cut ProCut swinging blades.

The MAJOR Trailed Topper is a fully offset gear driven machine. It is offset for working and is folded into transport position hydraulically from the tractor seat.

The rotors are timed with each other and have an overlap of 3 inches (75 mm). The blades rotate in opposite directions to each other and spread the cut grass evenly behind the machine. As the machine is fully offset there is no trampling of the pasture prior to cutting.

The cutting height is set at the desired level by moving the adjustable side skirts to the appropriate position. There is a limit stop on the ram which controls the rear axle.

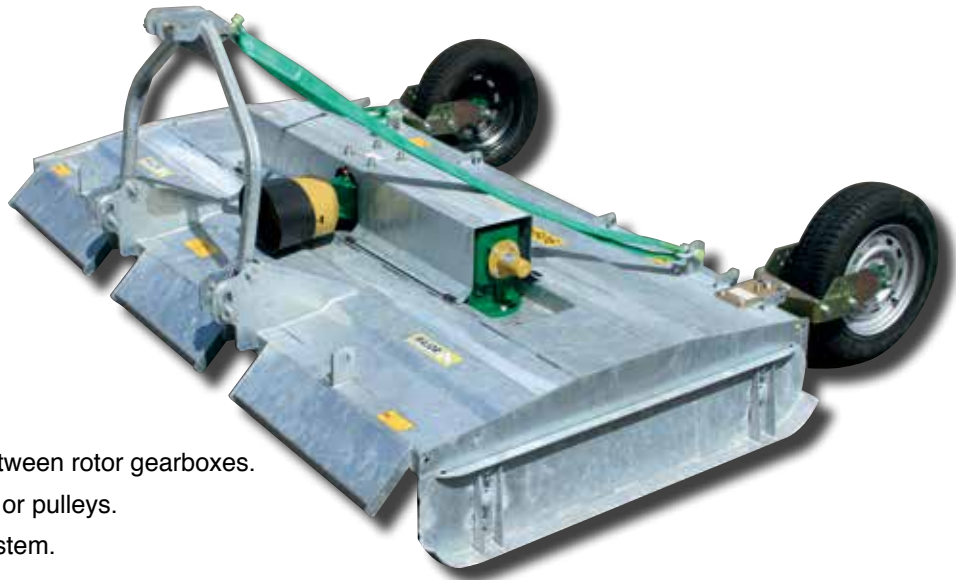


Model	Working Width	Weight	HP (Min.)	PTO rpm	Rotors	Cutting Height	RRP ex GST	RRP incl GST
MJ45-360	3.60m (12')	1240kg	40-120	540	3	50-205mm	\$41,500.00	\$45,650.00

CENTRE MOUNTED TOPPER SERIES

THREE POINT LINKAGE

- Heavy duty transmission.
- Rubber shock absorbers between rotor gearboxes.
- Low maintenance - no belts or pulleys.
- Twin-Cut swinging blade system.



The MAJOR Centre Mounted Topper is a fully gear driven machine fitted with high speed rotors and twin cut swinging blades.

The 909HD Topper is a heavy duty topper featuring galvanised deck, extra heavy duty gearbox and is standard with twin wheels.

A shearbolt PTO shaft is supplied as standard for best power transfer.

Model	Working Width	Weight	HP (Min.)	PTO rpm	Rotors	Cutting Height	RRP ex GST	RRP incl GST
909HD	2.7m (9')	640kg	50-120	1000	2	50-250mm	\$17,990.00	\$19,789.00

FLEX WING TOPPER SERIES

- Robust pivot points.
- Rubber shock absorbers.
- Slip clutch PTO protection.
- Hydraulic wing lift.
- ProCut swinging blades.
- 88 mm (3½") blade overlap to eliminate striping.

The MAJOR Flex Wing Topper is a three point linkage mounted machine which folds up to 2.3m (7' 6") transport width. Like all MAJOR machines, the Flex Wing Topper is of robust construction. CE conformity is achieved through full PTO guarding and heavy rubber skirting to prevent debris from escaping.

The wing cutting decks are raised by hydraulic control to transport position. The wings are capable of flexing from -15 to +25 degrees allowing the cutting unit to follow the ground contours.

Contra-rotating swinging blades are retained in hardened steel bushings and clamped by sprung steel blade backs. Under-sole discs are fitted to prevent scalping and ensure a perfect finish every time.



Model	Working Width	Weight	HP (Min.)	PTO rpm	Rotors	Cutting Height	RRP ex GST	RRP incl GST
MJ38-540	5.4 m (18')	1395 kg	60-160	1000	6	50-250 mm	\$42,900.00	\$47,190.00



Photos may contain optional extras. All prices are ex-works (Oakey Qld). Prices and specifications may change without notice.

SLOPETRAK S300

RADIO CONTROL MOWERS

The TwoSe SlopeTrak S300 from delivers outstanding performance and mowing efficiency. Featuring a new and powerful Vanguard 28hp engine, low fuel consumption and low emissions, and a hybrid electric drive, this machine delivers smooth operation every time.

The TwoSe SlopeTrak S300 has low ground pressure creating minimal surface disturbance during operation. The low centre of gravity and wide track widths offer maximum stability and optimum handling whilst working on slopes up to 55°.

Operation of the Slope Trak S300 is made effortless with the fully proportional remote control with a range of 150m and offering precise control and variable speed along with full control of the cutting deck functions including engaging and disengaging and height adjustment.

Some of the other great features include fast-stop rotors (cuts out in 3 seconds), fully enclosed body panels keep grass and debris out, GPS enabled offering the ultimate in mowing efficiency - maximum productivity, improved safety and more efficient working.

Model	Cutting Width	Cutting Height	Rotors	Weight	Height	Length	RRP ex GST	RRP incl GST
Slopetrak S300	1.1 m	25mm - 180mm	2	480Kg	765mm - 915mm	1510mm	\$74,500.00	\$81,950.00



SLOPETRAK 400 RADIO CONTROL MOWERS

The SlopeTrak 400 from Twose delivers outstanding performance and mowing efficiency. The powerful Stage 5, YANMAR 40hp 3 cylinder diesel engine driving the SlopeTrak 400 provides maximum power with low fuel consumption and low emissions. The SlopeTrak 400 comes standard with self-tightening rubber tracks minimising maintenance time and guaranteeing smooth operation every time.

The incredibly stable Twose SlopeTrak 400 can work on slopes of up to 55 degrees and has a 1.3m Flail Head fitted as standard.

Other great features and benefits of the SlopeTrak 400 include

- Safety – the operator can mow at a safe distance from the danger zone
- 50/50 weight distribution gives maximum stability and optimum handling on slopes
- Full enclosed metal body panels keep grass and debris out
- Fully proportional remote control with a range of 150m
- Twin, exposed roll bars for increased protection

Model	Cutting Width	Cutting Height	RRP ex GST	RRP incl GST
Slopetrak 400	1.3m	20-85 mm	\$127,500.00	\$140,250.00



Photos may contain optional extras. All prices are ex-works (Oakey Qld). Prices and specifications may change without notice.

TWOSE 5 – SERIES POWER ARM REACHMOWERS

The 5 – Series Twose Power Arms are designed to deliver performance, value and durability.

Offering a choice of reach from 6.0m to 6.7m making the 5 – Series an ideal fit for contractors and local government. The 5-series has the reach and power to tackle extensive verge-mowing and hedge-cutting duties.

The 5- Series is built to last from super-strong Domex steel, 5-series machines are extremely robust and feature such enhancements as SoftStart rotor engagement, hydraulic safety breakaway, and a cushioned top link for increased longevity.

KEY FEATURES:

- Slide-mount flailhead
- 240° head rotation
- Dual direction cutting
- Hydraulic slew
- Hydraulic breakaway protection
- 200 litre oil tank capacity
- Cast iron pumps and motor
- Angle float
- Road lighting
- Lift float
- Axle mounting (optional)
- Oil cooler kit

CONTROLS

- Proportional electric controls (EPP)

FLAILHEADS

- 1.2m sliding mount belt-drive flailhead

TRACTOR REQUIREMENTS

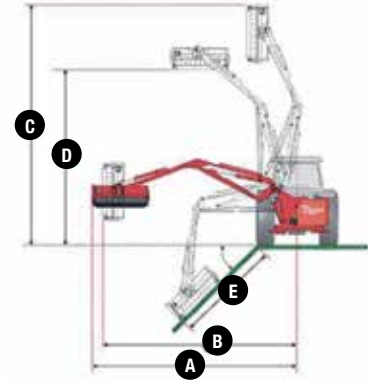
- From 70hp, 3000kg

SPECIFICATION

- 6.0m & 6.7m reach
- 3-point linkage
- 65hp hydraulics

ARM SETS

- Standard 6.0m
- Parallel arm geometry (both models)
- Telescopic 6.7m



	TW 60-5	TW 67T-5
A	6.0 m (19'6")	6.7m (21'8")
B	5.7 m (18'7")	6.4 m (20'9")
C	6.9 m (22'6")	7.5 m (24'6")
D	5.2 m (17')	5.8 m (19')
E	3.8 m (12'4")	4.5 m (14'7")

Model	Max. Reach	Weight	HP (Min.)	Tractor Weight Req.	RRP ex GST	RRP incl GST
TW60-5 6m reach mower with 1.2m flail head	6.0 m (19'6")	1482 kg	65	3000 kg	\$69,900.00	\$76,890.00
TW67T-5 6.7m reach mower with 1.2m flail head	6.7 m (21'9")	1611 kg	65	3000 kg	\$77,900.00	\$85,690.00



Photos may contain optional extras. All prices are ex-works (Oakey Qld). Prices and specifications may change without notice.

3PL COMPACT DISC HARROWS

100 Series Cat 1

- 18" disc with 7½" disc spacing.
- 2" square tube frame.
- 35 horse power range.
- 1" square high carbon gang axles.

200 Series Cat 1

- 20" discs 9" disc spacing.
- 2½" square tube frame.
- 65 horse power range.
- 3" x 2" gang tubes.
- 1" square high carbon gang axles

All models

- Sealed, self-aligning ball bearings.
- Front gang adjust to 0°, 7°, 14°, 21° with adjustment handle.
- Rear gang adjust to 7°, 14°, 21° with adjustment handle.



Model	Working Width	Weight (approx)	HP (Min.)	No. Discs	Finish	RRP ex GST	RRP inc GST
100-3-01	1.5 m	230 kg	35	16	Red Powder Coat	\$4,295.00	\$4,724.50
100-3-03	1.5 m	230 kg	35	16	Green Powder Coat	\$4,295.00	\$4,724.50
100-8-01	1.98 m	315 kg	35	16	Red Powder Coat	\$4,795.00	\$5,274.50
100-8-03	1.98 m	315 kg	35	16	Green Powder Coat	\$4,795.00	\$5,274.50
200-6-01	1.98 m	333 kg	65	16	Red Powder Coat	\$6,250.00	\$6,875.00
200-6-03	1.98 m	333 kg	65	16	Green Powder Coat	\$6,250.00	\$6,875.00
200-18-01	2.43 m	430 kg	65	20	Red Powder Coat	\$7,995.00	\$8,794.50
200-18-03	2.43 m	430 kg	65	20	Green Powder Coat	\$7,995.00	\$8,794.50



Photos may contain optional extras. All prices are ex-works (Oakey Qld). Prices and specifications may change without notice.

LIFESTYLE® SERIES POST HOLE DIGGERS

FOR 18-35 HP TRACTORS

- 65 mm x 65 mm RHS constructor.
- Standard with 1 x 12" auger.
- Friction clutch gearbox protection.
- Choice of adjustable holes for easy installation.

Optional augers shown on bottom of page.



Model	Weight	Gearbox Rating	Finish	RRP ex GST	RRP inc GST
LPD18-900	80 kg	20HP	Green/Red	\$2,890.00	\$3,179.00

LIFESTYLE® SERIES POST HOLE DIGGERS

FOR 18-75 HP TRACTORS

- Strong heavy wall 100 mm x 100 mm RHS construction.
- Friction clutch.
- Double cut augers standard.
- Choice of adjustable holes for easy installation.

Augers not included please refer to bottom of page.



Model	Weight	Gearbox Rating	Finish	RRP ex GST	RRP inc GST
HPD20-900	140 kg	20HP	Green/Red	\$2,990.00	\$3,289.00
HPD50-900	170 kg	50HP	Green/Red	\$3,295.00	\$3,624.50
HPD75-900	190 kg	75HP	Green/Red	\$3,725.00	\$4,097.50

AUGERS - DOUBLE CUT

Model	Diameter	RRP ex GST	RRP inc GST
AR100	100 mm (4")	\$475.00	\$522.50
AR150	150 mm (6")	\$535.00	\$588.50
AR230	230 mm (9")	\$575.00	\$632.50
AR300	300 mm (12")	\$590.00	\$649.00
AR380	380 mm (15")	\$705.00	\$775.50
AR460	460 mm (18")	\$770.00	\$847.00
AR610	610 mm (24")	\$1,195.00	\$1,314.50

REBEL SERIES TILLERS

- Homeowner or commercial gardening.
- Landscaping or soil conditioning.
- Orchard or vineyard clean-up.

Benefits include:

- All sizes available in either standard or reverse rotation.
- Designed for use on 25 - 65 PTO horsepower tractors.
- Six hardened "L" blades per rotor flange.
- Cast iron gearbox housing.
- Front to rear hitch points are continuously welded to mainframe.
- Metal debris deflector (on Reverse model only).
- CAT 1 Standard and QH (1.5m & 1.8m models), CAT 1 & 2 Standard and QH (2m model).
- Slip clutch driveline protection is standard.
- 13mm steel end plates.
- Strong "all gear" drivetrain featuring double lip seals on each end of the rotor shaft.



Model	Cutting Width	Weight	HP	Finish	RRP ex GST	RRP inc GST
RHREB48	1.2m	170 kg	15/25	Painted	\$3,990.00	\$4,389.00
RHREB60	1.5m	305 kg	25/45	Painted	\$4,095.00	\$4,504.50
RHREB72	1.8m	340 kg	35/55	Painted	\$4,595.00	\$5,054.50
RHREB84	2.0m	370 kg	45/65	Painted	\$5,560.00	\$6,116.00



20 SERIES GRADER BLADES

- Category 0 & 1 heavy duty Quick Hitch compatible A-frame.
- Five forward angles and 3 reverse angles.
- ¼" moldboard available in 4 and 5 ft.
- The 20 series gives small tractor owners a high quality blade for landscaping, levelling, backfilling and grading.



Model	Working Width	Weight	HP (Rec.)	Finish	RRP ex GST	RRP inc GST
CRB48-01	1.2m	62kg	20	Red Powder Coat	\$1,295.00	\$1,424.50
CRB48-03	1.2m	62kg	20	Green Powder Coat	\$1,295.00	\$1,424.50
CRB60-01	1.5m	68kg	20	Red Powder Coat	\$1,385.00	\$1,523.50
CRB60-03	1.5m	68kg	20	Green Powder Coat	\$1,385.00	\$1,523.50

35 SERIES GRADER BLADES

- Multiple adjustment settings.
- Replaceable cutting edges.
- 5' & 6' moldboard widths.
- Optional skid shoes.
- Manual angle and tilt.



Model	Working Width	Weight	HP (Rec.)	Finish	RRP ex GST	RRP inc GST
3505-01	1.5 m	127 kg	35	Red Powder Coat	\$2,150.00	\$2,365.00
3505-03	1.5 m	127 kg	35	Green Powder Coat	\$2,150.00	\$2,365.00
3506-01	1.8 m	140 kg	35	Red Powder Coat	\$2,290.00	\$2,519.00
3506-03	1.8 m	140 kg	35	Green Powder Coat	\$2,290.00	\$2,519.00

50 SERIES GRADER BLADES

- Multiple adjustment settings.
- Replaceable cutting edges.
- 6' and 7' moldboard widths.
- Optional skid shoes.
- Manual angle, tilt and offset.



Model	Working Width	Weight	HP (Rec.)	Finish	RRP ex GST	RRP inc GST
5006-01	1.8 m	183 kg	50	Red Powder Coat	\$2,865.00	\$3,151.50
5006-03	1.8 m	183 kg	50	Green Powder Coat	\$2,865.00	\$3,151.50
5007-01	2.1 m	195 kg	50	Red Powder Coat	\$2,995.00	\$3,294.50
5007-03	2.1 m	195 kg	50	Green Powder Coat	\$2,995.00	\$3,294.50

70 SERIES GRADER BLADES

- Multiple adjustment settings.
- Replaceable cutting edges.
- 7' and 8' moldboard widths.
- Optional skid shoes.
- Manual offset, angle and tilt.



Model	Working Width	Weight	HP (Rec.)	Finish	RRP ex GST	RRP inc GST
7007-01	2.1 m	244 kg	70	Red Powder Coat	\$4,190.00	\$4,609.00
7007-03	2.1 m	244 kg	70	Green Powder Coat	\$4,190.00	\$4,609.00
7008-01	2.4 m	260 kg	70	Red Powder Coat	\$4,650.00	\$5,115.00
7008-03	2.4 m	260 kg	70	Green Powder Coat	\$4,650.00	\$5,115.00

Photos may contain optional extras. All prices are ex-works (Oakey Qld). Prices and specifications may change without notice.

91 SERIES GRADER BLADES

- Heavy-duty 3-point and Quick Hitches.
- Solid-steel kingpins.
- ½" x 6" replaceable cutting edge.
- Maximum tractor size 90 HP



Model	Working Width	Weight	HP (Max)	Finish	RRP ex GST	RRP inc GST
9107-01	2.1 m	370 kg	90	Red Powder Coat	\$10,850.00	\$11,935.00
9107-03	2.1 m	370 kg	90	Green Powder Coat	\$10,850.00	\$11,935.00
9108-01	2.4 m	380 kg	90	Red Powder Coat	\$10,990.00	\$12,089.00
9108-03	2.4 m	380 kg	90	Green Powder Coat	\$10,990.00	\$12,089.00

141 SERIES GRADER BLADES

- Heavy-duty 3-point and Quick Hitches.
- Solid-steel kingpins.
- ½" x 6" replaceable cutting edge.
- Maximum tractor size 140 HP



Model	Working Width	Weight	HP (Max)	Finish	RRP ex GST	RRP inc GST
14108-01	2.4 m	600 kg	140	Red Powder Coat	\$14,500.00	\$15,950.00
14108-03	2.4 m	600 kg	140	Green Powder Coat	\$14,500.00	\$15,950.00

CARRY ALL

- Strong, innovative and stylish.
- High quality two pack finish.
- Heavy wall RHS frame.
- Steel floor.
- Available in red or green. Other colours available on request.
- Load capacity 500 kg.



Tray size:

1200 mm x 650 mm
1800 mm x 830 mm

Model	Working Width	Weight	HP (Rec.)	Finish	RRP ex GST	RRP inc GST
CRA12-900	1.2m (48")	65 kg	20-40	Green/Red	\$1,265.00	\$1,391.50
CRA18-900	1.8m (72")	80 kg	20-50	Green/Red	\$1,395.00	\$1,534.50



Photos may contain optional extras. All prices are ex-works (Oakey Qld). Prices and specifications may change without notice.

SINGLE TYNE RIPPER

- Solid steel main billet 100 mm x 25 mm.
- CAT I hook up.
- Medium tensile ripper point welded to main billet.
- 300 mm ripping depth.



LIGHT DUTY - SUITED FOR 18-40HP TRACTORS

Model	Working Width	Weight	HP (Rec.)	Finish	RRP ex GST	RRP inc GST
LSR-900	0.1 m x .025 m 0.4 m depth	40 kg	18	Green/Red	\$760.00	\$836.00

SINGLE TYNE RIPPER & PIPELAYER

- Solid steel main billet 150 mm x 32 mm.
- CAT I & II.
- Heat treated replaceable and reversible chisel point.
- 600 mm ripping depth.
- Heavy RHS cross bar 100 mm x 100 mm x 6 mm.



FITTED WITH OPTIONAL
PIPELAYER

HEAVY DUTY - SUITED FOR 35-85HP TRACTORS

Model	Working Width	Weight	HP (Rec.)	Finish	RRP ex GST	RRP inc GST
STR500	0.15 m x .032 m 0.6 m depth	60 kg	35	Green/Red	\$925.00	\$1,017.50

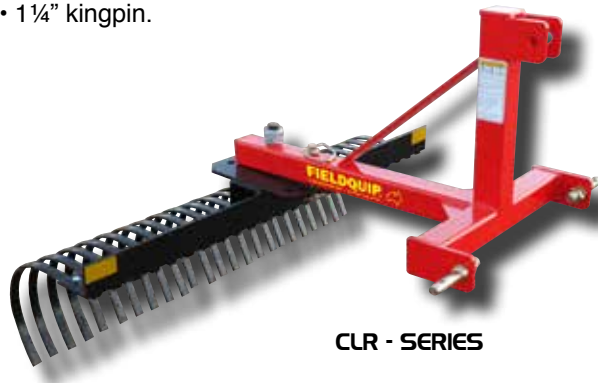
HEAVY DUTY - PIPELAYER (SUITS STR150)

Model	Working Width	Weight	HP (Rec.)	Finish	RRP ex GST	RRP inc GST
PLY500 suits STR500	0.07 m opening	20 kg	35	Green/Red	\$670.00	\$737.00

Photos may contain optional extras. All prices are ex-works (Oakey Qld). Prices and specifications may change without notice.

LANDSCAPE RAKES

- Forward or reverse working direction.
- 5/16" x 1" rake.
- Individual rake teeth for easy repair.
- 1 1/4" kingpin.



CLR - SERIES



Model	Working Width	Weight	HP (Rec.)	Finish	RRP ex GST	RRP inc GST
CLR60-01	1.5 m	65 kg	24	Red Powder Coat	\$1,790.00	\$1,969.00
CLR60-03	1.5 m	65 kg	24	Green Powder Coat	\$1,790.00	\$1,969.00
LLR72-01	1.8 m	94 kg	40	Red Powder Coat	\$2,250.00	\$2,475.00
LLR72-03	1.8 m	94 kg	40	Green Powder Coat	\$2,250.00	\$2,475.00
LLR84-01	2.1 m	102 kg	40	Red Powder Coat	\$2,690.00	\$2,959.00
LLR84-03	2.1 m	102 kg	40	Green Powder Coat	\$2,690.00	\$2,959.00

BOX BLADES

Box Blades are ideal tool for finish grading, levelling and backfilling.

- 17 - 40HP tractors.
- Cat 1 hookup with replaceable and reversable cutting edge.
- Manually retractable and height adjustable rippers.



Model	Working Width	Weight	HP (Rec.)	Finish	RRP ex GST	RRP inc GST
BBX48-01	1.2 m	118 kg	35	Red Powder Coat	\$1,590.00	\$1,749.00
BBX48-03	1.2 m	118 kg	35	Green Powder Coat	\$1,590.00	\$1,749.00
BBX60-01	1.5 m	148 kg	35	Red Powder Coat	\$1,770.00	\$1,947.00
BBX60-03	1.5 m	148 kg	35	Green Powder Coat	\$1,770.00	\$1,947.00
BBX72-01	1.8 m	176 kg	35	Red Powder Coat	\$1,990.00	\$2,189.00
BBX72-03	1.8 m	176 kg	35	Green Powder Coat	\$1,990.00	\$2,189.00

Photos may contain optional extras. All prices are ex-works (Oakey Qld). Prices and specifications may change without notice.

TILLAGE SERIES

3 TYNE RIPPER

- Rugged construction.
- Three (3) 225 mm (9") reversible points.
- 150 x 32 tynes with chamfered edge.
- Category 2 linkage.
- Rips to 0.6 metre.
- Suits tractors up to 90 HP.
- Adjustable tyne height.



Model	Width	Weight	HP (Rec.)	RRP ex GST	RRP inc GST
TTR500	0.15 m x 32 Tynes 0.6 m depth	160 kg	40-90	\$2,850.00	\$3,135.00

TILLAGE SERIES

SUBSOILER STANDARD DUTY SINGLE SHANK

- Cat 1 Quick Hitch compatible.
- Shear-bolt protected.
- Bolt on shank foot, hitch and top link.
- 3/4" x 6" shank made from 1060 wear-resistant steel.
- Replaceable heat-treated plow points



Model	Working Width	Weight	HP (Rec.)	Finish	RRP ex GST	RRP inc GST
SS1-01	650 mm	51 kg	20/50	Red Powder Coat	\$990.00	\$1,089.00
SS1-03	650 mm	51 kg	20/50	Green Powder Coat	\$990.00	\$1,089.00

Photos may contain optional extras. All prices are ex-works (Oakey Qld). Prices and specifications may change without notice.

TILLAGE SERIES

SUBSOILER HEAVY DUTY SINGLE SHANK

- Cat 1 & 2 Quick Hitch compatible.
- Triple-lug hitch points.
- Parabolic shank for easy ground penetration.
- High-carbon steel shanks with replaceable heat-treated plow points.
- One 1¼” shank.



Model	Working Width	Weight	HP (Rec.)	Finish	RRP ex GST	RRP inc GST
HDSS1L-01	587 mm	125 kg	35/90	Red Powder Coat	\$2,290.00	\$2,519.00
HDSS1L-03	587 mm	125 kg	35/90	Green Powder Coat	\$2,290.00	\$2,519.00

TILLAGE SERIES

SUBSOILER HEAVY DUTY DOUBLE SHANK

- Cat 1 & 2 Quick Hitch compatible.
- Triple-lug hitch points.
- Parabolic shank for easy ground penetration.
- High-carbon steel shanks with replaceable heat-treated plow points.
- Two 1¼” shank.



Model	Working Width	Weight	HP (Rec.)	Finish	RRP ex GST	RRP inc GST
HDSS2L-01	587 mm	204 kg	40/100	Red Powder Coat	\$4,900.00	\$5,390.00
HDSS2L-03	587 mm	204 kg	40/100	Green Powder Coat	\$4,900.00	\$5,390.00

Photos may contain optional extras. All prices are ex-works (Oakey Qld). Prices and specifications may change without notice.

FEL PALLET FORKS



Model	Capacity	Weight	Attachment	Finish	RRP ex GST	RRP inc GST
PF48E	1,500 kg @ 600mm	140 kg	Euro	Green/Black Powder Coat	\$2,595.00	\$2,854.50
PF48JD	1,500 kg @ 600mm	140 kg	John Deere QA	Green/Black Powder Coat	\$2,595.00	\$2,854.50

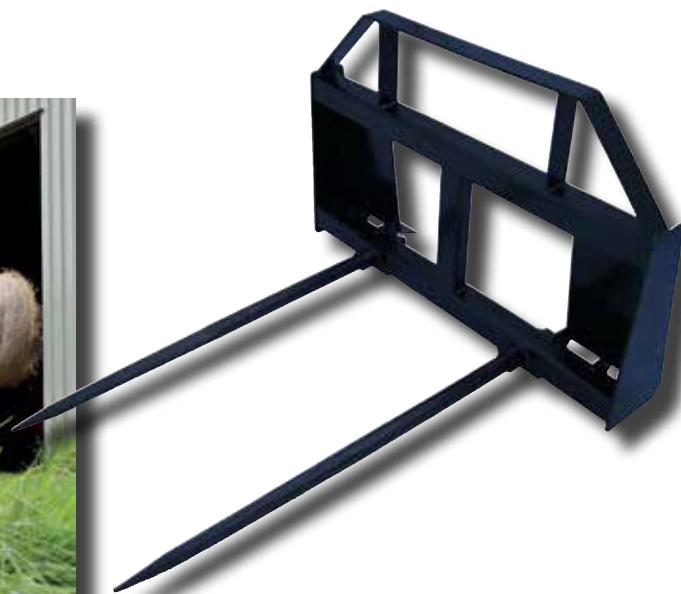
3PL BALE SPEAR CAT 1 & 2



Model	Capacity	Weight	HP (Min.)	Finish	RRP ex GST	RRP inc GST
3PBS-2	1,000 kg	44 kg	25	Black Powder Coat	\$825.00	\$907.50

Photos may contain optional extras. All prices are ex-works (Oakey Qld). Prices and specifications may change without notice.

FEL DOUBLE BALE SPEAR



Model	Capacity	Weight	Attachment	Finish	RRP ex GST	RRP inc GST
BS2E	1,500 kg @ 600mm	140 kg	Euro	Green/Black Powder Coat	\$1,590.00	\$1,749.00
BS2JD	1,500 kg @ 600mm	140 kg	John Deere QA	Green/Black Powder Coat	\$1,590.00	\$1,749.00

3PL BALE UNROLLER



Model	Capacity	Weight	Finish	RRP ex GST	RRP inc GST
3PBU-01	Up to 900 kg	148 kg	Red Powder Coat	\$2,990.00	\$3,289.00
3PBU-03	Up to 900 kg	148 kg	Green Powder Coat	\$2,990.00	\$3,289.00

Photos may contain optional extras. All prices are ex-works (Oakey Qld). Prices and specifications may change without notice.

TERMS & CONDITIONS...

1. All prices and specifications are subject to renewal or alteration without prior notification. Dealers must check prices to satisfy themselves before quoting.
2. Prices are in Australian dollars with both GST inclusive and exclusive.
3. Prices exclude freight except where stated otherwise.
4. It is the dealer's responsibility to check availability of stock before quoting any model or machine for resale.
5. Specifications contained in this pricelist are only an outline. Please consult model specific brochures for complete specifications.
6. Exclusive Dealer Marketing Rights may apply to some products in some areas. It is the dealer's responsibility to check this before quoting any goods for resale.
7. Fieldquip reserves the right not to sell any or all the items included in this pricelist to any potential Purchaser or Reseller.
3. The following items are not covered by Fieldquip warranty;
 - (i) Power take-off shafts and clutches,
 - (ii) Blades, tynes, flails, knives, tyres, wheels, belts, bearings, seals etc,
 - (iii) Freight costs;
 - (iv) Loss of income from the machine due to a warranty fault,
 - (v) Use of non genuine parts.
4. Fieldquip will not cover any repairs performed without Fieldquip personnel prior agreement.

WARRANTY PROCEDURE

In the event of a product failure please proceed as follows:

WARRANTY TERMS

1. All Fieldquip machinery is covered by a comprehensive warranty against faulty materials and workmanship provided that:
 - (i) The machine is operated in normal use,
 - (ii) The machine is correctly serviced and maintained,
 - (iii) The machine is worked within its stated capacity (ie. horsepower limit and PTO speed),
 - (iv) The machine is not subjected to any modifications or damage from improper use
 - (v) Fieldquip is in receipt of duly signed pre-delivery and installation certificate and warranty documentation.
2. The term of warranty shall be 12 months from date of installation except machines sold into the Hire Industry, these shall be void of warranty.
5. Phone Fieldquip (07) 4691 1500 and discuss the problem with the customer service team. They will advise how to carry out the repair in the quickest, most effective and efficient way.
6. Advise Fieldquip during this phone call what labour would be involved in the repair work. Fieldquip will authorise the pre-allocated labour allowance for the repair and issue a warranty claim number. No repair is to be commenced without prior authorisation.
7. Fieldquip will post out a warranty claim form. This will specify the allowed labour rate, time allocation and parts to be returned for warranty assessment.
8. Fieldquip will dispatch if needed any parts to carry out the repair work and will invoice and charge the dealer. The faulty parts must be returned for a credit to be raised.
9. Fill out the required forms and return (with faulty parts).
10. Once parts and claim forms are received, parts will be assessed and if the claim is accepted, it will be credited to your account.
11. Claims must be returned within 20 days from date of repair.

NOTE: All photos are for Illustration Purposes only and may be a different model to description.

FIELDQUIP 
...a cut above the rest!



PHONE: +61 7 4691 1500 FAX: +61 7 4691 1511
199 BRIDGE STREET OAKLEY QUEENSLAND AUSTRALIA 4401
www.fieldquip.com.au

Additional lines may be added or deleted from the range in this guide -
visit www.fieldquip.com.au for new models and availability

 **MEMBER OF THE
ALAMO GROUP**
ALWAYS ON THE CUTTING EDGE