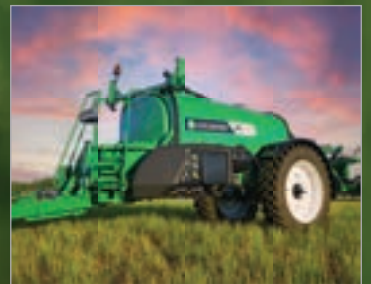


# Spring spraying



2022/23 COMPLETE SPRAYER RANGE

# Squirt Trolley Sprayer

Easy to wheel with its large diameter rubber wheels, well balanced with all weight down low for stability. Featuring a pressure switch that only pumps while you pull the trigger, spray pattern is easily adjusted from a straight stream to a fan from the nozzle.

SCAN ME



## Specifications

- ▶ 30L product tank
- ▶ 12-volt lead acid rechargeable battery
- ▶ 3.5 l/min 70 psi pump
- ▶ Adjustable spray lance
- ▶ 6 hour spray time\*
- ▶ Handle height 850mm
- ▶ Net weight 14kg

30L

**\$395**

GA4900009



# Squirt VX Trolley Sprayer

20L Squirt VX rechargeable trolley sprayer.

This battery operated sprayer gives constant pressure and volume suitable for large garden care.

SCAN ME



## Specifications

- ▶ 22L product tank
- ▶ 12-volt Li-ion removable rechargeable battery
- ▶ 2.2 l/min 55 psi pump
- ▶ Adjustable spray lance
- ▶ 5 hour spray time
- ▶ European Quality
- ▶ Handle height 910mm
- ▶ Net weight 8.2kg

22L

**\$499**

GA6500032



# Marolex RX



SCAN ME



12L

**\$680**

GA5067980

## Specifications

- ▶ 12-volt rechargeable
- ▶ 12L tank capacity
- ▶ No pumping
- ▶ 3 hour spray time
- ▶ Padded straps & backing
- ▶ Adjustable spray lance
- ▶ Net weight 6.8kg



## Padded straps for added comfort



## Turn it on & spray. Light weight & comfortable rough terrain backpack sprayer.

Featuring a 2.2 l/min 12-volt pump that gives 55 psi of spraying pressure and up to 3 hours of continuous use. The ergonomic design features padded straps and a lightweight stylish profile.

## 12-volt rechargeable



# Marolex Industry

Pump up sprayers designed for demanding tasks in garages, car washes, service points and in various branches of industry.

SCAN ME



5L  
**\$150**  
GA5060895

9L  
**\$159**  
GA5060905

12L  
**\$170**  
GA5060910

## Specifications

- ▶ 5, 9 or 12L tank capacities
- ▶ Viton seals
- ▶ Stainless adjustable lance
- ▶ Highly efficient pump
- ▶ Adjustable nozzle

# Marolex Hobby

These pump up sprayers are perfect for applying plant protection chemicals and liquid fertilisers in orchards, nurseries, plantations and gardens.

## Specifications

- ▶ 5 or 9L tank capacities
- ▶ Adjustable lance & nozzle
- ▶ Highly efficient pump
- ▶ 5L - Net weight 1.5kg
- ▶ 9L - Net weight 1.8kg

SCAN ME



5L  
**\$85**  
GA5060875

9L  
**\$95**  
GA5060885

# Marolex Movi

Pump up trolley sprayer is used for plant protection chemical and liquid fertilizer in orchards, nurseries, gardens & plantations.

## Specifications

- ▶ 16L tank capacity
- ▶ Adjustable handle height
- ▶ Adjustable lance and nozzle
- ▶ Highly efficient pump
- ▶ Sturdy wheels
- ▶ Net weight 4.46kg

SCAN ME



16L

**\$305**

GA5022201

Shown with optional 3 nozzle boom

## Marolex Master



2L

**\$45**

GA5025495

- ▶ 2L tank capacity
- ▶ Viton seals
- ▶ Net weight 0.6kg
- ▶ Adjustable nozzle

## Marolex Mini



1L

**\$20**

GA5025490

- ▶ 1L tank capacity
- ▶ Net weight 0.12kg
- ▶ Adjustable nozzle

## 3 & 5 nozzle boom



3 nozzle

**\$46**

GA5021820

5 nozzle

**\$60**

GA5021825

- ▶ Spray wider areas such as driveways, paths or lawn
- ▶ Suits all Marolex sprayers

## Telescopic lance



85-135cm

**\$49**

GA5060955

150-300cm

**\$50**

GA5060960

85-135cm

**\$60**

GA5023885-SK

- ▶ 85-135cm telescopic lance or
- ▶ 150-300cm telescopic lance
- ▶ GA5023885-SK suits Squirt and 12v sprayers

## Drift guard



**\$25**

GA5022295

- ▶ Compatible with Marolex Hobby and Industry sprayers

# Spotmate Trailer



love  
your  
lawn

SCAN ME



100L

**\$1520**

GA6500014



## Specifications

- ▶ 100L product tank
- ▶ 12-volt 107 psi pump
- ▶ Pneumatic tyres with sealed bearings
- ▶ 3 nozzle boom
- ▶ Marolex spray lance
- ▶ Solid steel axle with steel chassis
- ▶ Net weight 35kg

Tidy up your lawn and do away with unwanted weeds around the yard with the Spotmate trailer.

Simply hook up to your ride-on mower with 12-volt operation, 100L capacity, 3 nozzle spray boom and spot spray lance.

## 12-volt pump



## Spot spraying lance



## 3 nozzle boom



# Compact 300



## pasture perfect



SCAN ME



No boom  
**\$4190**  
GA6500024

### Specifications

- ▶ 300L product tank
- ▶ 12-volt 20 l/min 90psi pump
- ▶ Pressure regulating valve
- ▶ 30m reel and gun
- ▶ 540mm turf wheels
- ▶ Full RHS welded chassis
- ▶ 4 stud mini hubs
- ▶ Net weight 125kg

Ideal for use behind  
an ATV motorbike or  
utility vehicle.



Shown with optional 4m boom

### Add a boom to suit your application



4m boom only  
**\$1795**  
GA4900096  
Net weight 19kg



3m boom only  
**\$950**  
GA4900093  
Net weight 6kg



Boom mount  
**\$85**  
GA4908100  
Boomless nozzle  
**\$190**  
GA4908335

Up to 16m spray width\*



Vert vine boom  
**\$1310**  
GA1100059

\*For more boom information refer to pages 22-25

# Compact 400



high  
pressure  
pump



SCAN ME



No Boom  
**\$7595**  
GA6500016

## Specifications

- ▶ 400L product tank
- ▶ Honda GX120 petrol engine
- ▶ 20 l/min Udor diaphragm pump
- ▶ 30m hose reel & pistol grip gunjet
- ▶ 14" wheels with mudguards & flaps
- ▶ 50mm tow hitch
- ▶ Leaf suspension
- ▶ Net weight 235kg



## Add a boom

Boom size	Part No	More info	Price
4m manual boom	GA4900096	Page 25-26	<b>\$1795</b>
6m manual boom	GA4907140		<b>\$2295</b>
Vertical Vine boom	GA1100059		<b>\$1310</b>
Boomless nozzle	GA4908340	Page 23	<b>\$190</b>
Boomless nozzle mount	GA4908100	Page 22	<b>\$85</b>

**Control pastures & clean up around your property with the Prairie Compact.**

Choose a boom or boomless nozzle or use the high pressure 30m reel for spot spraying.

## Pump and engine combo (400 & 600L)



## 14" wheel with mudguards (400 & 600L)





# Compact 600



SCAN ME



Shown with optional 6m boom

No boom  
**\$7795**  
 GA6500017



## Specifications

- ▶ 600L product tank
- ▶ Honda GX120 petrol engine
- ▶ 20 l/min Udor diaphragm pump
- ▶ 30m hose reel & pistol grip gunjet
- ▶ 14" wheels with mudguards & flaps
- ▶ 50mm tow hitch
- ▶ Leaf suspension
- ▶ Net weight 250kg

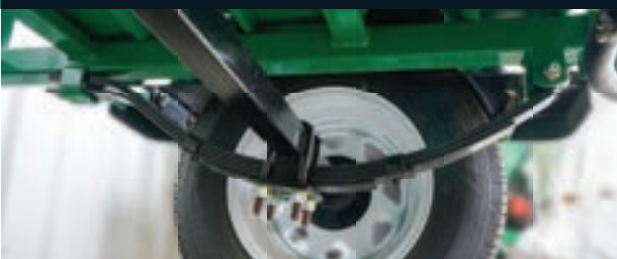
## Add a boom

**Control pastures & clean up around your property with the Prairie Compact.**

Choose a boom or boomless nozzle or use the high pressure 30m reel for spot spraying.

Boom size	Part No	More info	Price
4m manual boom	GA4900096	Page 25-26	<b>\$1795</b>
6m manual boom	GA4907140		<b>\$2295</b>
Vertical Vine boom	GA1100059		<b>\$1310</b>
Boomless nozzle	GA4908340	Page 23	<b>\$190</b>
Boomless nozzle mount	GA4908100	Page 22	<b>\$85</b>

## Leaf suspension



## Add an LED light kit (400 & 600L)



LED light kit  
**\$260**  
 GA1100058

# Compact 1000



SCAN ME



Model shown with optional 10m boom

No Boom  
**\$15,500**  
 GA6500019

## Specifications

- ▶ 1000L product tank
- ▶ Udor 70 l/min diaphragm PTO drive pump
- ▶ 45L flush tank
- ▶ 3 way filtration system
- ▶ 3 way electric controller with electric pressure adjustment
- ▶ Choose booms up to 10m
- ▶ Chemical suction probe

## Tame pastures and take charge of your spraying with the Compact 1000 trailing sprayer.

Built on a sturdy fully welded RHS frame and riding on leaf suspension to handle the roughest of terrain. Choose from folding boom sizes 6-10m.

### Leaf suspension



### Add a boom

Boom size	Part No	More info	Price
6m manual fold	GA4907140	Page 26-27	\$2295
8m manual fold	GA4900105-MF-NS		\$2795
10m Crossfold	GA4908470		\$4995
10m Twinlink	GA4908480		\$10,595

### PTO drive pump



### 16" wheels with mudguards



# Compact 2000



**tough**  
performer

SCAN ME



Shown with optional 12m Crossover Twinlink boom

## Specifications

- ▶ 2000L product tank
- ▶ 85 l/min diaphragm PTO drive pump
- ▶ 3 way electric controller
- ▶ Single 14.9 x 24 wheels
- ▶ Mudguards
- ▶ 45L flush tank
- ▶ Heavy duty chassis
- ▶ 26L induction hopper
- ▶ Chemical suction probe

**Engineered with strength & durability first & foremost, the 2000L Compact trailing sprayer is the undeniable pasture spraying king.**

Fully welded RHS frame with adjustable track to match your tractor. Hydraulic boom lift is fitted, choose from manual folding boom sizes 10-12m.

### Adjustable track width (1.8 to 2.0m)



### Add a boom

Boom size	Part No	More info	Price
10m Crossfold	GA4908470	Page 26-27	\$4995
10m Twinlink	GA4908480		\$10,595
12m Twinlink	GA4908490		\$11,195

### Workstation



### 900mm hydraulic boom lift



# 12-volts

# a mate you can depend on



SCAN ME



12-volt connection in a convenient range of sizes and styles. Ideal for your spot spraying or operating a small boom.

## Manual hose reel to suit Traymates



30m Hose reel  
**\$250**  
GA5066080

Reel / bracket  
**\$360**  
GA1100060

- ▶ 30m hose reel with/without mounting bracket
- ▶ Steel construction
- ▶ 10mm diameter hose
- ▶ Spring loaded locking
- ▶ Swivel inlet fitting
- ▶ Spray gun not included
- ▶ Suits 200 & 400L models

## Mount a Towbar boom



2m boom  
**\$725**  
GA4908615

2m fenceline  
**\$925**  
GA4908645

- ▶ 2m spray width
- ▶ Fenceline version includes fenceline nozzle
- ▶ Adjustable height and depth
- ▶ Folding wings
- ▶ 2m net weight 6kg
- ▶ 2m fenceline net weight 7.3kg

## Spotmate



**Spotmate sprayers are extremely versatile, with an on demand 12-volt pump, great for spraying around the home or garden.**

- ▶ 50L - 12v Shurflo 3.8 l/min 40 psi pump
- ▶ 100-200L - 12v Shurflo 6.8 l/min 107 psi pump
- ▶ Telescopic spray lance
- ▶ 4m hose
- ▶ Electrical leads with battery clips

### Dimensions & Weight (Net)

50L - 660 L x 400 W x 340mm H - 7.5kg  
 100L - 750 L x 500 W x 500mm H - 12.5kg  
 200L - 1000 L x 700 W x 560mm H - 20.5kg

50L  
**\$570**  
 GA4907675

100L  
**\$780**  
 GA4907680

200L  
**\$925**  
 GA4907685

## Traymate



**The Traymate is a heavy duty 12-volt sprayer designed for either spot spraying or adapting to operate a small boom.**

- ▶ 100-200L - 12v Shurflo 6.8 l/min 107 psi pump
- ▶ 12v Shurflo 20 l/min 90 psi pump - Boom ready
- ▶ Pistol grip spray gun
- ▶ 5m chemical hose
- ▶ Steel frame
- ▶ Battery leads with battery clips
- ▶ Boom ready versions suits up to 6m booms

### Dimensions & Weight (Net)

100L - 970 L x 460 W x 550mm H - 26kg  
 200L - 950 L x 700 W x 750mm H - 36kg  
 400L - 1150 L x 900 W x 900mm H - 56kg

100L  
**\$1410**  
 GA4900024

200L  
**\$1770**  
 GA4900042

200L Boom ready  
**\$2140**  
 GA5021715

400L Boom ready  
**\$2510**  
 GA5021725

## Hysi - Hay & silage applicator



**Hysi applicators are designed for treating grain in an auger or hay and silage.**

- ▶ Pressure regulator valve
- ▶ 12-volt Shurflo 6.8 l/min 107 psi pump
- ▶ 2 nozzle boom
- ▶ Sump for drainage

### Dimensions & Weight (Net)

100L - 970 L x 460 W x 550mm H - 26kg  
 100L upright - 550 L x 550 W x 1000mm H - 30kg  
 200L - 950 L x 700 W x 750mm H - 36kg

100L  
**\$1780**  
 GA4932435

200L  
**\$1990**  
 GA4932440

100L upright  
**\$1780**  
 GA5021450

# T3 Traymount



300L  
**\$4450**  
 GA6500008



## Specifications

- ▶ Compact size
- ▶ 300L product tank
- ▶ Honda GX120 engine
- ▶ 20 l/min 290 psi pump
- ▶ 30m hose reel
- ▶ Adjustable pistol grip gun
- ▶ Net weight 102kg

The T3 is great for high-pressure spot spraying duties or can be used with a small boom.

The compact dimensions make it suitable for many tray back applications. The unit features a 30m hose reel and spray gun with an adjustable nozzle and 2-way controller with a pressure regulating valve.

## Add a boom

Boom size	Part No	More info	Price
2m boom	GA4908615	Page 24-25	<b>\$725</b>
2m fenceline boom	GA4908645		<b>\$925</b>
3m manual fold	GA4900093		<b>\$950</b>
4m manual fold	GA4900096		<b>\$1795</b>
Boom mount	GA4905835	Page 25	<b>\$250</b>

## Dimensions



## Honda engine



# 400 & 600L Traymounts



high  
pressure  
spraying



SCAN ME



400L

**\$6295**

GA4914025

600L

**\$6795**

GA4914030



## Specifications

- ▶ Honda GX200 engine
- ▶ 40 l/min diaphragm high pressure pump
- ▶ 30m hose reel
- ▶ Adjustable pistol grip gun
- ▶ 200L - Net weight 120kg
- ▶ 400L - Net weight 124kg
- ▶ 600L - Net weight 157kg

## Do you need more pressure and spray volume?

The units include a 40 l/min high pressure diaphragm pump with a Honda engine, UV-resistant poly tank with drain sump, strong RHS frame, a 30m steel hose reel with pistol grip gun, and an adjustable nozzle.

## Add a boom

Boom size	Part No	More info	Price
2m boom	GA4908615	Page 24-25	<b>\$725</b>
2m fenceline boom	GA4908645		<b>\$925</b>
3m manual fold	GA4900093		<b>\$950</b>
4m manual fold	GA4900096		<b>\$1795</b>
Boom mount	GA4905835	Page 25	<b>\$250</b>

## 30m hose reel



## Honda engine & diaphragm pump



# RTV300 Pro-Reel®



SCAN ME



## Specifications

- ▶ 12-volt remote rewind hose reel
- ▶ 300L product tank
- ▶ 100m reel
- ▶ Nylon grade 12 hose
- ▶ Honda GX200 engine
- ▶ Turbo 400 gun
- ▶ 1149L x 1346W x 1010mm H
- ▶ Net weight 160kg

300L

**\$10,595**

GA4908090

Got steep or rugged terrain you need to spray? The Pro-Reel® auto rewind traymount sprayers allow you to spray wherever you may roam. Take the work out of hose reel spraying.

# Pro-Reel® Single Reel



SCAN ME



## Specifications

- ▶ 400 or 600L product tank
- ▶ Honda GX200 engine
- ▶ Manual 3 way controller
- ▶ 100m 12-volt Pro-Reel® remote rewind hose reel
- ▶ Udor 40 l/min 40 bar twin diaphragm pump
- ▶ Remote engine shut-off
- ▶ Turbo 400 spray gun
- ▶ Power cable kit included
- ▶ 400L - 1390 L x 1030 W x 885mm H - 178kg (Net)
- ▶ 600L - 2087 L x 1400 W x 835mm H - 230kg (Net)

400L

**\$10,695**

GA4914045

600L

**\$10,895**

GA4914050

400L unit with dimensions to fit most popular twin cab utes, for a big capacity choose the 600L with 100m hose with Pro-Reel® auto rewind.



# Pro-Reel<sup>®</sup> Twin Reel



**600L**  
**\$15,195**  
 GA4914075

**800L**  
**\$15,895**  
 GA4914080

Spray your own way with twin 100m Pro-Reels, 2 channel remote control, large capacity tanks for greater range.

## Specifications

- ▶ 600 or 800L product tank
- ▶ Honda GX200 engine
- ▶ Udor 40 l/min 40 bar (580 psi) twin diaphragm pump
- ▶ Manual 3 way controller
- ▶ 2 x 100m 12-volt Pro-Reel<sup>®</sup> remote rewind hose reel
- ▶ Remote engine shut-off
- ▶ Turbo 400 spray gun
- ▶ Power cable kit included
- ▶ 600L - 2100 L x 1618 W x 920mm H - 292kg (Net)
- ▶ 800L - 2140 L x 1618 W x 980mm H - 342kg (Net)

## Pro-Reel<sup>®</sup> remote



A two-channel radio receiver with a 200m range controls the Pro-Reel<sup>®</sup> rewind function. It features a single button motor shutdown for emergencies, a manual override switch allows the hose to be rewound if the remote loses power, is damaged or lost.

## 12-volt stand alone Pro-Reel<sup>®</sup>



Spray gun not included. Power cable kit included.

**100m**  
**\$4550**  
 GA4904584

**150m**  
**\$4660**  
 GA4906985

Net weight 56kg    Net weight 58kg

## Braglia Turbo 400



**\$204**  
 GA5023475

- ▶ Side lever adjusts spray pattern
- ▶ 70 l/min - 725 psi
- ▶ 1/2" swivel with male BSP thread

## CT Top Spray



**\$210**  
 GA5023825

- ▶ 30 l/min - max 365psi
- ▶ Great general purpose spray gun
- ▶ Adj nozzle from pencil to fan
- ▶ Complete with hose tail & swivel

## TeeJet AA43



**\$330**  
 GA5077248

- ▶ 27 l/min up to 200psi
- ▶ Trigger handle control
- ▶ Tough construction
- ▶ 1/2" female inlet

# Linkage



**quality**  
meets practicality

SCAN ME



## 450 & 600L



**Fully welded RHS / tubular cradle frame with tough poly tank using only the finest components for maximum strength and durability.**

Packed with quality components and features these sprayers are designed for operators who rely on their equipment to get the job done, year after year.

- ▶ Zeta 70 l/min pto
- ▶ 3 way manual controller
- ▶ 30m hose reel with AA30 gunjet

- ▶ 450L - Net weight less boom 161kg
- ▶ 600L - Net weight less boom 189kg

Add a boom	Part No	More info	Price
4m manual fold	GA4900096	Page 25-26	<b>\$1795</b>
6m manual fold	GA4907140		<b>\$2295</b>
8m manual fold	GA4900105-MF-NS		<b>\$2795</b>

# Features

## Spot spraying



## Simple controls



## 23L handwash tank



## Foam Marker (option)

- ▶ Double sided foam marker suit boom sizes up to 12m complete kit includes in cab switch box
- ▶ Includes 3PL mounting bracket



Kit to suit linkage

Double sided  
**\$1775**  
GA1100061

## 800L

- ▶ Zeta 70 l/min pto
- ▶ 4 way manual controller
- ▶ 30m hose reel with AA30 gunjet
- ▶ 800L - Net weight less boom 210kg

800L  
**\$5845**  
GA4907160



## 800 & 1000L electric control

- ▶ Zeta 70 l/min pto
- ▶ 3 way electric controller with pressure reg
- ▶ 30m hose reel with AA30 gunjet

800L  
**\$8595**  
GA4907170



1000L  
**\$8795**  
GA4907175

- ▶ 800L - Net weight less boom 215kg
- ▶ 1000L - Net weight less boom 265kg

Add a boom	Part No	Type	Net weight	Description	More info	Price
4m	GA4900096	Manual fold	7.5kg	Mild steel and aluminium construction	Page 25	<b>\$1795</b>
6m	GA4907140		37kg	4 or 6m spray widths	Page 26	<b>\$2295</b>
8m	GA4900105-MF-NS		45kg	6 or 8m spray widths		<b>\$2795</b>
10m crossfold	GA4908470		127kg	2D breakaway end, mild steel construction	Page 27	<b>\$4995</b>
10m crossover	GA4908480		230kg	Twinlink self levelling suspension. Mild steel construction. Fully trussed design		<b>\$10,595</b>
12m crossover	GA4908490		240kg			<b>\$11,195</b>
12m krono	GA4908030	Hydraulic	215kg	Multiple spray widths		<b>\$13,230</b>

# Medium Linkage



SCAN ME



Model shown with optional 15m Delta boom



## Specifications

- ▶ 1200L product tank
- ▶ 45L flush tank
- ▶ Zeta 140 l/min pto diaphragm pump
- ▶ 3 way electric controller
- ▶ Venturi chemical probe
- ▶ Suction filter and 2 x pressure filters
- ▶ 23L hand wash tank
- ▶ Optional hose and gun

For farmers or contractors looking for a higher capacity 3PL with larger tank volumes and wider booms the medium 3PL range has you covered.

## Add a boom

Boom size	Part No	More info	Price
10m twinlink	GA4908480	Page 27	\$10,595
12m twinlink	GA4907140		\$11,195
12m krono	GA4908030		\$13,230
15m Krono	GA4908035		\$27,250
12, 15 or 18m Delta - goldacres.com.au for details			\$POA

## 23L handwash tank



## 12m twinlink boom



# Large Linkage



SCAN ME



## Specifications

- ▶ 2000L product tank
- ▶ 100L rinse water tank
- ▶ 1 x suction, 2 x pressure filters
- ▶ 3 way electric controller
- ▶ Zeta 170 l/min pto diaphragm pump
- ▶ Cat 3 linkage points
- ▶ Intuitive sprayer control system
- ▶ Robust full RHS frame

The versatility of the large 3PL has meant it has found homes in cereal, cotton & horticulture areas right across Australia.

### 24-30m TriTech boom



### Induction hopper



### 1 x suction, 2 x pressure filters



### 2" fill point



# Boomless Nozzles

## Single / double sided spraying



#20 brass nozzle shown

The brass boomless nozzles can be used for double, left or right spray operation by simply adjusting the spray plate. Great for spraying directly behind the tow vehicle or fence lines.

## Boomless mounting bar



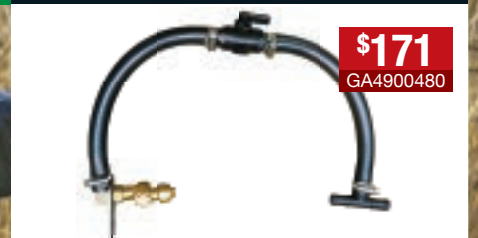
Shown with nozzle kit

**\$85**

GA4908100

Ideal for mounting boomless nozzle kits, suit 650mm upright posts. Includes: 1 x 800mm aluminium mount bar and 2 x u-bolts M12 90 x 120mm

## Fenceline hose kit



**\$171**

GA4900480

Fenceline kit for 1/2" hose inline connection. Standard with OC04 fenceline nozzle, manual on/off tap.

SCAN ME



Choose from single brass, stainless steel, nylon or double sided BoomJet nozzles. Suits large capacity 12-volt or medium pressure diaphragm pumps.



## 3 section electric solenoid kit



- ▶ Plumbing assembly three 1/2" solenoid valves
- ▶ Switch box section control master on / off
- ▶ 5m electrical harness

**\$1050**  
GA6500023

## Solenoid kit

- ▶ Electric solenoid on/off control
- ▶ Cigarette switch with 2 core wiring loom
- ▶ Kit complete with 12-volt solenoid and 1/2" hose tails



**\$250**  
GA5023760

Boomless nozzles	Spray pattern	Description	Nozzle part no	Pressure bar	Flow l/min	Spray width (m)*	l/ha @10 km/h	Kit part no	Mounting kit inc nozzle
		#2 - 1/4" F/ NPT Brass nozzle	GA8100658 <b>\$115</b>	2	3.2	6.7	13.5	GA4908330 <b>\$200</b>	
				3	3.85	7	15		
				4	4.5	7.6	16.5		
		#5 - 1/2" F/ NPT Brass nozzle	GA8100659 <b>\$115</b>	2	6.5	13	27	GA4908335 <b>\$200</b>	
				3	7.75	14	31		
				4	9	15	34		
		#10 - 1/2" F/ NPT Brass nozzle	GA8100660 <b>\$115</b>	2	14	15	51	GA4908340 <b>\$200</b>	
				3	16.5	15.5	59		
				4	19	16	67		
		#20 - 3/4" F/ NPT Brass nozzle	GA8100661 <b>\$115</b>	2	19	16	65	GA4908345 <b>\$225</b>	
				3	23	17	76		
				4	27	18	85		
		Left 1/4" BSP XP10 Orange	GA8100339 <b>\$159</b>	2	3.2	3.4	57	GA5021550 <b>\$190</b>	
				4	4.5	4.4	62		
		Right 1/4" BSP XP10 Orange	GA8100340 <b>\$159</b>	2	3.2	3.4	57	GA5024605 <b>\$190</b>	
				4	4.5	4.4	62		
		Double sided 2 x 1/4"XP10	GA8100339 GA8100340	2	6.4	6.8	57	GA4932800 <b>\$300</b>	
				4	9.1	8.8	62		
		TF-VS4 floodjet White	GA8100081 <b>\$45</b>	2	2.6	3.2	48	GA4907309 <b>\$150</b>	
				3	3.1	3.2	6		
		BoomJet 5880 3/4" 2 TOC20		1.5	24	14.3	105	GA8100383 <b>\$570</b>	
				2	28	15.2	114		
				2.5	31	15.8	122		
		BoomJet 5880 3/4" 2 TOC40		1.5	47	17.1	173	GA8100384 <b>\$570</b>	
				2	55	18.2	188		
				2.5	61	19.2	199		

\*All spray widths calculated with nozzle mounted 900mm above target

# Spray Booms 1.5 to 15m

## Mini boom



**\$305**  
GA4932075

- ▶ Three jet spray bar that is lightweight and ideal for use on a quad bike
- ▶ 1.5m coverage



Goldacres booms have forged a reputation in the spraying industry for strength and durability with practical features.



## Towbar boom



**2m boom**  
**\$725**  
GA4908615

**2m fenceline**  
**\$925**  
GA4908645

- ▶ Suits Hayman Reese 50 x 50mm
- ▶ 4 x IDK120-02 nozzles
- ▶ Adjustable boom height
- ▶ 3m of 12mm hose and clamps
- ▶ Adjustable towbar length
- ▶ Fenceline model includes single sided height & angle adjustable with Hypro boom Xtender size 20 nozzle
- ▶ 2m - Net weight 6kg
- ▶ 2 m fenceline - Net weight 7.3kg

Suits models	More info
Linkage 450-1000L	Page 18-19
Compact 300	Page 7
Compact 400	Page 8
Compact 600	Page 9



## Vertical vine boom



- ▶ Stainless 1/2" spray rods
- ▶ 1/2" hose connections
- ▶ Adjustable width and height to suit all vine spraying applications
- ▶ 10 adjustable fan 1.5 spray ceramic nozzles

Suits models	More info
Linkage 450-1000L	Page 18-19
Compact 300	Page 7
Compact 400	Page 8
Compact 600	Page 9

## 3m manual folding boom



- ▶ Lightweight aluminium construction
- ▶ 6 x IDK120-02 nozzles
- ▶ Non-drip nozzle bodies mounted to stainless steel brackets behind the boom for added protection
- ▶ Supplied with u bolts and nuts for mounting to your vehicle
- ▶ Net weight 6kg

Suits models	More info
Linkage 450-1000L	Page 18-19
Compact 300	Page 7
Compact 400	Page 8
Compact 600	Page 9

## 4m manual folding boom



- ▶ Mild steel and aluminium construction
- ▶ 8 x IDK120-02 nozzles
- ▶ Non-drip nozzle bodies mounted to stainless steel brackets behind the boom for added protection
- ▶ Supplied with u bolts and nuts for mounting to your vehicle or optional boom mount frame
- ▶ Net weight 7.5kg

Suits models	More info
Linkage 450-1000L	Page 18-19
Compact 300	Page 7
Compact 400	Page 8
Compact 600	Page 9

All booms are fitted with 02 size nozzles.

## 6m manual folding boom



6m  
**\$2295**  
 GA4907140

- ▶ 4 & 6m spray widths
- ▶ Mild steel construction
- ▶ 12 x IDK120-02 nozzles
- ▶ Non-drip nozzle bodies mounted to stainless steel brackets behind the boom for added protection
- ▶ U bolts & nuts supplied to mount onto your vehicle or boom mount frame
- ▶ Net weight 37kg

Suits models	More info
Linkage 450-1000L	Page 18-19
Compact 300	Page 7
Compact 400	Page 8
Compact 600	Page 9

## 8m manual folding boom



8m  
**\$2795**  
 GA4900105-MF-NS

- ▶ 6 & 8m spray widths
- ▶ Mild steel construction
- ▶ 16 x IDK120-02 nozzles
- ▶ Non-drip nozzle bodies mounted to stainless steel brackets behind the boom for added protection
- ▶ U bolts & nuts supplied to mount onto your vehicle or boom mount frame
- ▶ Net weight 45kg

Suits models	More info
Linkage 450-1000L	Page 18-19
Compact 400	Page 8
Compact 600	Page 9

## 10m Crossfold manual folding boom



10m  
**\$4995**  
 GA4908470

- ▶ 10m spray width
- ▶ Mild steel RHS construction
- ▶ Fully trussed configuration
- ▶ 2D breakaway end tip with rubber mounted stopper
- ▶ Greaseable hinges
- ▶ Non-drip nozzle bodies mounted to stainless steel brackets behind the boom for added protection.

▶ Net weight 127kg

Suits models	More info
Linkage 800 &1000L	Page 18-19
Compact 1000	Page 10
Compact 2000	Page 11

## 10 & 12m Crossover Twinlink manual folding boom



10m  
**\$10,595**  
 GA4908480

12m  
**\$11,195**  
 GA4908490

- ▶ Twinlink self levelling suspension
- ▶ Mild steel RHS construction
- ▶ Non-drip nozzle bodies mounted to stainless steel brackets behind the boom for added protection.
- ▶ Fully trussed configuration
- ▶ 2D breakaway end tip with rubber mounted stopper
- ▶ Greaseable hinges
- ▶ Net weight 10m 230kg / 12m 240kg

Suits models	More info
Linkage 800 &1000L	Page 18-19
Compact 1000	Page 10
Compact 2000	Page 120

## 12m Krono hydraulic boom



12m  
**\$13,230**  
 GA4908030

The Krono 12m boom features full hydraulic sequential folding of the four wing sections.

This allows the boom to be operated at multiple spray widths as well as providing outer wing tilting. The boom can be also operated as a single sided unit. Hydraulic lift optional.

- ▶ Net weight 215kg

Suits models	More info
Linkage 800 &1000L	Page 18-19
Linkage 1200L	Page 7
Linkage 2000L	Page 21

## 15m Krono hydraulic boom



15m  
**\$27,250**  
 GA4908035

The Krono 15m boom features full hydraulic sequential folding of the six wing sections.

This allows the boom to be operated at multiple spray widths as well as providing a very compact folded structure. The boom can be also operated as a single sided unit. Includes hydraulic lift.

- ▶ Net weight 510kg

Suits models	More info
Linkage 1200L	Page 20
Linkage 2000L	Page 21

# Pumps

### Shurflo 6.8

- ▶ Shurflo 8000
- ▶ 6.8 l/min
- ▶ 107psi
- ▶ Santo diaphragms
- ▶ Viton valves

1/2" male in/out	3/8" female in/out
<b>\$380</b>	<b>\$380</b>
GA5023400	GA5023401



### Shurflo 3.8



**\$210**  
GA5055700

- ▶ Shurflo SLV10
- ▶ 3.8 l/min / 40 psi
- ▶ Santo diaphragms / Viton valves
- ▶ 3/8" barb in/outlet

### 3.5 l/min suit Squirt



**\$140**  
GA5023730

- ▶ 3.5 l/min
- ▶ 70 psi
- ▶ Quick connect in/outlet

### 12v spare parts kits

**8000 SERIES SHURFLO**

- ▶ Pressure switch, 100psi suit 6.8L - GA5071545 **\$97**
- ▶ Valve assembly kit, viton, suit 6.8L - GA5071550 **\$97**
- ▶ Diaphragm assembly kit, Santoprene, suit 6.8L - GA5071555 **\$140**
- ▶ Check valve kit, suit 6.8L - GA5071560 **\$45**

**2088 SERIES SHURFLO**

- ▶ Pressure switch, 45psi, suit 11.3L - GA5071565 **\$97**
- ▶ Housing upper, male threads, suit 11.3L - GA5071570 **\$55**
- ▶ Valve assembly kit, viton, suit 11.3L - GA5071575 **\$159**
- ▶ Diaphragm assembly kit, Santoprene, suit 11.3L - GA5071580 **\$122**
- ▶ Check valve kit, suit 11.3L - GA5071585 **\$73**

**5059 SERIES SHURFLO**

- ▶ Pressure switch, 60psi suit 20L - GA5071525 **\$80**
- ▶ Valve assembly kit, viton, suit 20L - GA5071530 **\$135**
- ▶ Diaphragm assembly kit, Santoprene suit 20L - GA5071535 **\$195**
- ▶ Check valve kit, suit 20L - GA5071540 **\$45**

**12V SHURFLO REPAIR KITS**

- ▶ Hose Tail 1/2 x 1/2" 90° - GA5005197 **\$4.10**

### Shurflo 11.3



**\$480**  
GA5023405

- ▶ Shurflo 2088
- ▶ 11.3 l/min / 45 psi
- ▶ Santo diaphragms / Viton valves
- ▶ 1/2" thread in/out

### Shurflo 20



**\$580**  
GA5071305

- ▶ Shurflo 5059
- ▶ 20 l/min / 90 psi
- ▶ Santo diaphragms / Viton valves
- ▶ 1/2" thread in/out

### Zeta 85 & engine



**\$3322**  
GA4933295

- ▶ 290psi / 20 bar
- ▶ 85 l/min @ 550 RPM
- ▶ 6:1 gearbox
- ▶ Honda GX200 engine

### Iota 20 pump, gearbox and engine



**\$2797**  
GA4906752

- ▶ 290psi / 20 bar
- ▶ 20 l/min @ 550 rpm
- ▶ 6:1 gearbox
- ▶ Honda GX120 engine

### Delta 40 pump, gearbox and engine



**\$3590**  
GA4933275

- ▶ 580psi / 40 bar
- ▶ 48 l/min @ 550 RPM
- ▶ 6:1 gearbox
- ▶ Honda GX200 engine

## Iota 20



**\$1220**  
GA5077765

- ▶ 290 psi / 20 bar
- ▶ 20 l/min @ 550 RPM
- ▶ Min 2hp required
- ▶ 2 diaphragms

## Delta 40



**\$1835**  
GA1100042

- ▶ 580psi / 50 bar
- ▶ 40 l/min @ 550 RPM
- ▶ Min 4.3hp required
- ▶ 2 diaphragms

## Zeta 70



**\$1570**  
GA5078218

- ▶ 290psi / 20 bar
- ▶ 70.5 l/min @ 550 RPM
- ▶ Min 3hp required
- ▶ 3 diaphragms

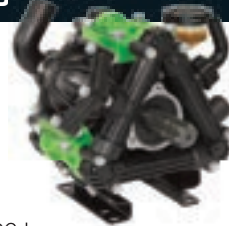
## Zeta 85



**\$1770**  
GA5078220

- ▶ 290 psi / 20 bar
- ▶ 85 l/min @ 550 RPM
- ▶ Min 3hp required
- ▶ 3 diaphragms

## Zeta 100



**\$1940**  
GA5078216

- ▶ 290 psi / 20 bar
- ▶ 98 l/min @ 550 RPM
- ▶ Min 3hp required
- ▶ 3 diaphragms

## Zeta 140



**\$2875**  
GA5054540

- ▶ 290 psi / 20 bar
- ▶ 135 l/min @ 550 RPM
- ▶ Min 6.7hp required
- ▶ 3 diaphragms

## Zeta 170



**\$3970**  
GA5054515

- ▶ 290psi / 20 bar
- ▶ 170 l/min @ 550 RPM
- ▶ Min 8.8hp required
- ▶ 4 diaphragms

## Zeta 260



**\$5325**  
GA5054505

- ▶ 290psi / 20 bar
- ▶ 256 l/min @ 550 RPM
- ▶ Min 12.7hp required
- ▶ 6 diaphragms

## Hydraulic pump drive kits



Drive shown fitted to pto pump

- ▶ Suits 4400 / 4070 Raven controller and PTO pump

**\$3025**  
GA4900729-DF0

- ▶ Suits SCS440 / 450 Raven controller and PTO drive pump

**\$3025**  
GA4900728-DF0

## Udor complete kits



Includes side diaphragms, air diaphragm where applicable, valves, o rings and oil seals. Full parts break down of pump and fitting instructions. **All kits with Greentech diaphragms**

Suits Pump	Part No:	Price
IOTA20	KIT-IOTA20-C	\$230
DELTA/KAPPA 40	GA5077781	\$390
ZETA 85	GA5077796	\$610
RO121/130	GA5077788	\$870
ZETA 140	GA5077788	\$870
RO160	GA5077790	\$1109
ZETA 170	GA5077790	\$1109
RO250	GA5077792	\$1430
ZETA 260	GA5077792	\$1430
ZETA 300	GA5077792	\$1430

## Udor diaphragm kits



Diaphragm kits consist of side diaphragms and air diaphragm where applicable

Suits Pump	Part No:	Price
DELTA/KAPPA 40	GA5023870-SK	\$130
ZETA 85	GA5077797	\$150
RO121/130	GA5077789	\$340
ZETA 140	GA5077789	\$340
RO160	GA5077791	\$435
ZETA 170	GA5077791	\$435
RO250	GA5077793	\$590
ZETA 260	GA5077793	\$590
ZETA 300	GA5077793	\$590



Drive shown fitted to M1 pump

# Chemical handling



Goldacres' chemical handling equipment includes a range of transfer solutions to speed up reload times and get you back to work quickly.

## SuperFlow mobile hopper



The SuperFlow Mobile Hopper is an alternative method of transferring chemical into the main spray tank.

- ▶ 60L hopper capacity
- ▶ Dry chemical friendly - Atrazine & Simazine
- ▶ Approx 50 l/min induction when using a 50 psi pump (suitable for most fire pumps 1½" or larger)
- ▶ Drum rinse nozzle
- ▶ Anti-aeration mixing jet
- ▶ Volume indicator
- ▶ Fully sealed lid
- ▶ Sturdy welded frame
- ▶ 8" (390mm OD) pneumatic tyres
- ▶ Heavy duty 1" axle and bearings
- ▶ 5m suction and 2m induction hose
- ▶ Camlocks for rapid fitting

### Dimensions

779 L x 670 W x 1145mm H



## Batchmate



The ultimate in mixing and transferring chemicals is the 800L Batchmate. Standalone batching system allows chemicals to be premixed easily, safely and quickly ready for transfer into the sprayer.

- ▶ 800L tank capacity
- ▶ Open flow pump capacity 610 l/min
- ▶ High capacity venturi with chemical induction probe
- ▶ Twin tank lids for easy cleaning and loading
- ▶ Drumbuster for rapid loading of drums
- ▶ 3" camlock main fill and delivery points
- ▶ 23L hand wash tank with soap dispenser
- ▶ Net weight 250 kg

### Dimensions

1520 L x 1670 W x 1200mm H

## Flow meter



2"	3"
<b>\$1680</b>	<b>\$2020</b>
GA3000189	GA3000190

- ▶ 2" full port or 3" flange
- ▶ Magnetic flow meter
- ▶ No moving parts
- ▶ Polypropylene construction

## Shurflo AgRunner

Portable, flexible and extremely versatile, the 12-volt 40 l/min AG Runner is ideal for the transfer of chemical into your sprayer.



- ▶ 12v 40 l/min open flow
- ▶ 6m cable, alligator clips and inline fuse electronic flow metre
- ▶ 1" NPT x 3.5m EPDM discharge hose with ball valve/spout
- ▶ 1" NPT x 3.5m EPDM inlet hose

- with 1" elbow/ball valve/fitting assembly
- ▶ GA2000030 Pump only **\$1233**
- ▶ GA2000031 Flow meter **\$718**
- ▶ GA2000032 2" female NPT to 1" female NPT **\$56**

# Weedetect Bilberry

**WEEDTECT**  
POWERED BY bilberry



**Boom mounted Green on green or Green on brown weed detection system using RGB cameras for visual recognition and AI Intelligence that learns the profile of weeds.**

Weedetect - Bilberry is fully integrated into sprayer rate controller, using existing sprayer nozzles and plumbing and is available with 16 section or individual nozzle control with PWM, 250mm or 500mm nozzle spacing.



## Frequently asked questions

### Detection Type

- ▶ Green on Green, and Green on Brown

### How does it work?

- ▶ RGB camera (Visual Recognition) Very Advanced Artificial Intelligence with shape and colour recognition

### How many nozzles will it control?

- ▶ 16 Section using standard rate control system or Individual nozzle control with PWM (250 or 500mm)

### How is the system integrated with respect to boom plumbing?

- ▶ Fully integrated into sprayer rate controller. Utilizes existing sprayer nozzles and plumbing

### What cabin controls are required?

- ▶ Utilizes a separate screen to control system. Modem for remote support

### Can the sprayer be used in the dark?

- ▶ Yes, using high powered LED lights mounted every 3m

### When spot spraying does the system adjust the nozzle rate when turning?

- ▶ If the Hawkeye 2 PWM system is fitted then yes turn compensation is catered for

### How fast can I spray?

- ▶ 15-25km/hr

### What can I use it on?

- ▶ Self-Propelled & Prairie Pro Series 2 only

### What size boom can it be fitted to?

- ▶ Up to 48M

### Can I fit it to an older sprayer?

- ▶ Talk to Goldacres to find out more



# Crop Divider Kits

SCAN ME



## Specifications

- ▶ Adjustable to align with centre of wheels
- ▶ Made with high density polypropylene (min 10mm thickness)
- ▶ Spring-loaded flip up mechanism

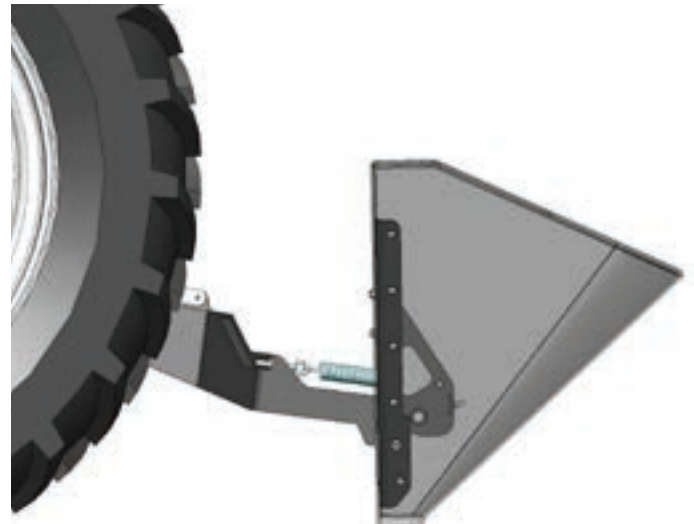
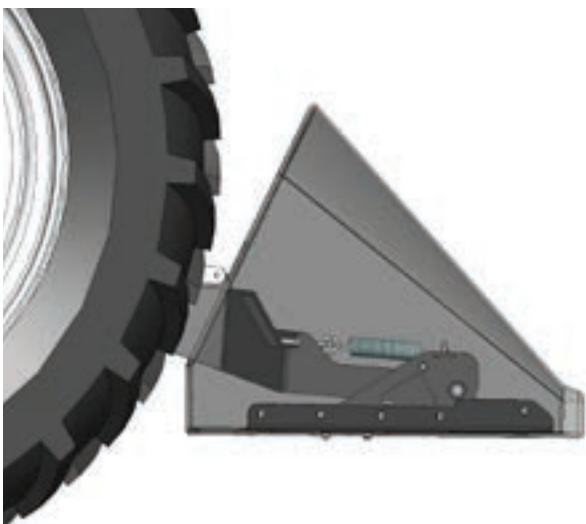
**Crop Dividers are height adjustable and feature a spring-loaded flip up mechanism in the case of an object strike.**

Brackets can be adjusted to perfectly align to the centre of the wheels. Covers are made from high density polypropylene with a minimum 10mm thickness.

Select from the following parts kits to suit G6 Crop Cruisers 2011 to current model or G4 Crop Cruisers MY13 to current model.

## Kit selection

Model	Year	Front wheels	Rear wheels
G6 Crop Cruiser	2011-2022	<b>2WD</b> GA1100047	
	2011-2018	<b>4WD</b> GA1100051	
	2019-2022	<b>4WD</b> GA1100046	
G4 Crop Cruiser	2013-2022	<b>2WD</b> GA1100074	
	2017-2022	<b>4WD</b> GA1100072	
G6 Crop Cruiser	2011-2016		<b>2WD &amp; 4WD</b> GA1100052
	2017-2022		<b>2WD &amp; 4WD</b> GA1100048



# Prairie Special



SCAN ME



The Prairie Special range is available with a wide range of boom sizes, wheel options and tank sizes to suit your farming practice. Whether it be pasture, broadacre or rowcrop.

Control station



Optional tight turn hitch



# pasture broadacre & rowcrop specialist



## 3 way boom suspension



## Prairie Special 2500 & 3000L



The small frame Prairie Special is a fully featured sprayer efficiently packaged in a layout to suit pasture, horticultural and dry-land cropping applications.

### 2500L model

- ▶ 12 to 24m Delta booms
- ▶ 140 l/min pto diaphragm pump
- ▶ 3 way electric control (Raven SCS450 optional)
- ▶ 100L rinse tank
- ▶ 14.9 x 24 tyres

### 3000L model

- ▶ 18 to 24m Delta booms
- ▶ 170 l/min pto diaphragm pump
- ▶ Raven SCS450 rate controller
- ▶ 180L rinse tank
- ▶ 16.9 x 34 tyres

## Prairie Special 4000-6500L



The large frame Prairie Special is for operators looking for extra capacity, No 1 boom ride and bullet proof reliability. Built on the strongest trailing sprayer platform.

- ▶ 4000, 5000 & 6500L tank capacities
- ▶ Delta or TriTech boom width ranging 18 to 36m
- ▶ 170 l/min pump (260 l/min optional)
- ▶ 400L rinse tank
- ▶ Raven SCS450 rate controller
- ▶ 18.4 x 38 tyres
- ▶ Optional airbag suspension

# Prairie Pro Series 2



The next generation of cutting edge technology in a trailing sprayer package, the all new Prairie Pro Series 2 trailing sprayer. Fast fill induction, G-hub integrated sprayer control and RivX or TriTech V booms - all the features to increase spraying productivity.

## Fast Fill / External G-Hub





## TriTech RivX Boom



### Our strongest most stable platform now available on the Prairie Pro Series 2.

- ▶ RivX design incorporates outer wings construction using a mixture of steel and aluminium sections with high strength structural rivets – even greater stability and rigidity
- ▶ TriTech boom suspension controlling pitch, roll and yaw
- ▶ Multiple plumbing configurations and application technology available

### Specifications

- ▶ 5000-10,000L tank sizes
- ▶ 24 to 48m TriTech booms
- ▶ Fast fill induction
- ▶ RapidFire / RapidFlow
- ▶ G-Hub integrated system
- ▶ RCM ISO Bus rate controller

### 60L Induction Hopper



## Prairie Pro boom options

### 48m TriTech V Boom



### Raven RCM 16 sections



### Weed detection



### Boom height control



For more information on boom options refer to: [goldacres.com.au/boom options](http://goldacres.com.au/boom-options)

# G4 Crop Cruiser

adapt  
to your  
farming



SCAN ME



Lightweight for minimal soil disturbance, high clearance to cover large crops, 2 or 4 wheel drive with a track width to suit all situations. The G4 can do it all.

## Optional mechanical 4WD



## High outputs with low inputs



9.6<sup>~</sup>  
L/HR



### Specifications

- ▶ 4000L product tank
- ▶ 24 to 36m TriTech boom
- ▶ 2 or 4 wheel mechanical drive system
- ▶ 165hp Cummins engine
- ▶ Allison 5 speed transmission
- ▶ Hydraulic or manual track width adjustment
- ▶ Light tare weight 9.4 tonne\*

### Superior comfort



### Hydraulic adjustable track

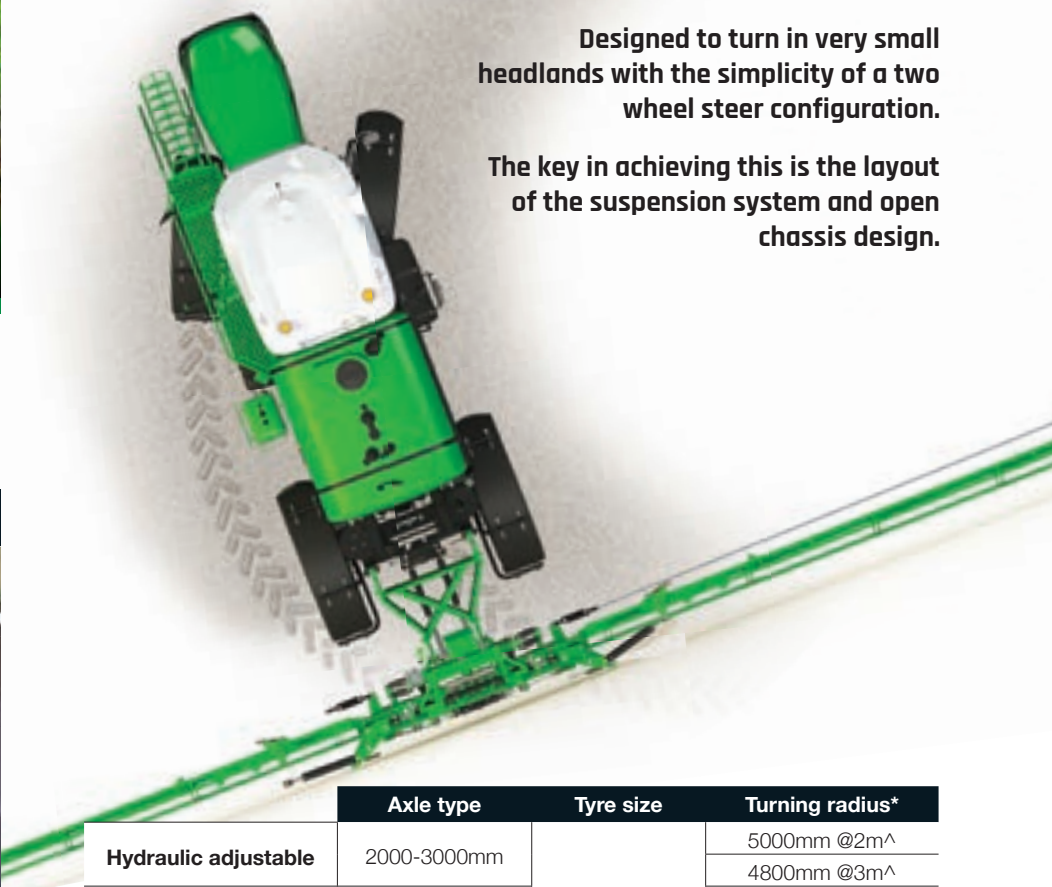


**An optional hydraulically adjustable axle providing a true 2000 to 3000mm wheel track.**

Hydraulic track adjustment can be done on the move with a push of a button. Cylinders located inside the front and rear axles control the track width.

Power is transferred to the rear wheels via multistage extendable drive shafts coupled to the droplegs to get the power to the ground.

### Tight headlands, no worries



**Designed to turn in very small headlands with the simplicity of a two wheel steer configuration.**

**The key in achieving this is the layout of the suspension system and open chassis design.**

	Axle type	Tyre size	Turning radius*
<b>Hydraulic adjustable</b>	2000-3000mm	380/80 R46	5000mm @2m <sup>^</sup>
			4800mm @3m <sup>^</sup>
<b>Fixed wide</b>	2WD 3000mm		5800mm
	4WD 3000mm		5800mm
<b>Fixed narrow</b>	2WD 2000mm	5900mm	
<b>Manual adjustable</b>	3000-4000mm	4400mm @3m <sup>^</sup>	
		4200mm @4m <sup>^</sup>	

\*Inside tyre measurement. ^Track setting

# G4V Crop Cruiser

## all-out spraying specialist



SCAN ME



Designed specifically for horticultural operators that require narrow wheel tracks and a tight turning radius, slower operating speeds & higher water rates.

### 4WD steering

**G4V four wheel steering equals more hectares for cropping.**

The switchable four wheel steering gives a turning radius of just 2.9m\* when fitted with large diameter 380/90R46 tyres and a 1.81m wheel track.

\* Inside of tyre



### Premium cabin



\*Weight may vary according to sprayer specifications.





### Specifications

- ▶ 4000L product tank
- ▶ 24 to 36m TriTech booms
- ▶ 4WD / 4WS
- ▶ RapidFire nozzle tech
- ▶ RapidFlow boom recirculation
- ▶ Multiple plumbing configurations
- ▶ Lightest tare weight in class - 9.45 tonne\*

### IFS boom

Independent fold boom system



### Hydro-mechanical drive system



The G4V Crop Cruiser utilizes a combination of hydrostatic and mechanical drive systems to transfer maximum power to all four wheels with minimum fuel usage.

At the heart of the system is a single high capacity variable displacement hydraulic pump and motor. These two components form the hydrostatic part of the drive system and allow the operator to adjust the sprayer speed in smooth infinite amounts. In addition,

the on-board computer adjusts the engine rpm to precisely match the required speed setting.

The result is fuel usage averages as low as 14 l/hr and reduced cabin noise.

### Wheel track



Designed to suit many Rowcrop applications the G4V sprayers feature track width adjustment by changing the dish and rim configuration.

Wheel tracks from 1.81m - 2.36m can be achieved by reversing the bolted rim

and disk to allow up to 16 track width variations. Tyre size 380/90R46.

W/track	Offset	W/track	Offset	W/track	Offset	W/rack	Offset
1810mm	130	1990mm	40	2106mm	-18	2200mm	-65
1860mm	105	2020mm	25	2136mm	-33	2250mm	-90
1926mm	72	2040mm	15	2156mm	-43	2316mm	-123
1976mm	47	2070mm	0	2186mm	-58	2366mm	-148

# G6 Crop Cruiser

faster  
smarter  
stronger



**FASTER, SMARTER, STRONGER.** The new Goldacres G6 Crop Cruiser Series 2 is designed for operators who demand the very best in sprayer performance, efficiency and comfort.

**Mechanical drive**



**Work station pod - Fast Fill**





## Mechanical advantage



**11.8**  
L/HR

There are numerous benefits with a mechanical drive sprayer. Less maintenance costs, less noise, significant fuel reduction, less heat generated, lower engine rpm, lower horsepower required, more torque at the wheels for a longer component life.

- ▶ Mechanical drive
- ▶ Light weight
- ▶ 2WD or 4WD
- ▶ Cummins 225hp engine
- ▶ 450L fuel tank
- ▶ 4 wheel disc brakes
- ▶ LSD provides superior traction
- ▶ 5 link suspension

## Specifications

- ▶ 6000L product tank
- ▶ 36-48m TriTech RivX boom
- ▶ 2 or 4 wheel full mechanical drive system
- ▶ 225hp Cummins engine
- ▶ Allison 6 speed trans
- ▶ Lightest tare weight in class - 11.6 tonne\*

## Smooth operator - TriTech RivX boom



## G-Hub - integrated system



A boom which bounces, sways or yaws deposits chemical unevenly on the target. This can result in weed escapes and may even contribute to resistant weeds.

- ▶ TriTech boom suspension controlling pitch, roll and yaw
- ▶ Multiple plumbing configurations and application technology available
- ▶ RivX design incorporates outer wings construction using a mixture of steel & aluminium sections with high strength structural rivets - even greater stability & rigidity

# G8 Super Cruiser

capacity  
broadacre  
king

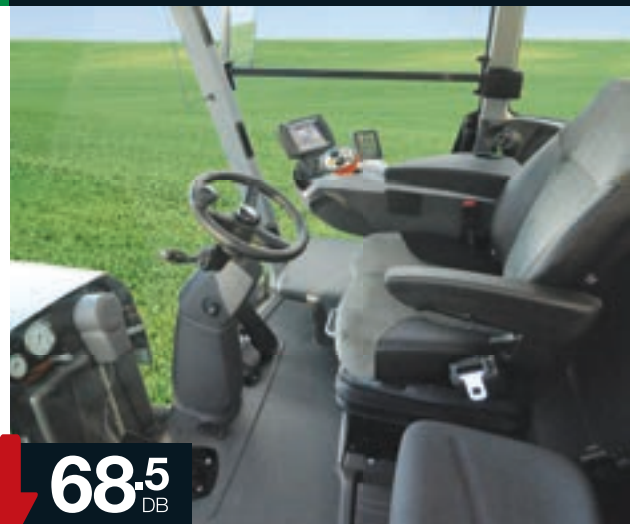


A massive 8000L tank capacity with TriTech V booms up to 48m. A rigid chassis, suspension and mechanical driveline system delivers unparalleled driving and spraying dynamics.

## Strength, stability & control



## Claas cabin



68.5<sub>DB</sub>



### Specifications

- ▶ 8000L product tank
- ▶ 36 to 48m TriTech boom
- ▶ 260hp Cummins engine
- ▶ Allison 6 speed trans
- ▶ 3m wheel track
- ▶ Lightest tare weight in class - 12 tonne\*
- ▶ Average fuel usage 13.9L per hour<sup>^</sup>

### ISOBus 16 sections



Optional display shown.

### Mechanical advantage



**13.9**<sup>L/HR</sup>

Full-time mechanical 4WD equates to up to a third of the fuel saving compared to some hydrostatic drive sprayers in the same situation. Turn the Goldacres mechanical advantage into your advantage.

- ▶ Less maintenance costs
- ▶ Less noise
- ▶ Significant fuel reduction
- ▶ Less heat generated
- ▶ Lower engine rpm
- ▶ Lower horsepower required
- ▶ More torque at the wheels
- ▶ Longer component life

### Tech up your sprayer

#### RapidFire / RapidFlow



#### Raven Hawkeye



#### Weed detection



#### Boom height control



Goldacres sprayers have a range of boom options that will take your spraying efficiency to the next level.

# Goldacres Dealer Network

VICTORIA			
Lyand Farm and Industrial	Alexandra	P	03 5772 1498
Ararat Farm Supplies	Ararat	R	03 5352 2624
Bacchus Marsh Farm Supplies	Bacchus Marsh	R	03 5367 5523
Brownwigg Bairnsdale	Bairnsdale	R	03 5152 1313
Henderson Mowers and Chainsaws Pty Ltd	Ballarat	R	03 5331 1618
Brandt Equipment Ballarat	Ballarat	D	03 5334 7555
Midland Irrigation Ballarat	Ballarat	R	03 5336 3600
Peter Davis Rural	Benalla	R	03 5762 6522
Midland Irrigation Bendigo	Bendigo	R	03 5442 5655
Grogans Machinery	Bendigo	D	03 5448 3535
Nutrien Birchip	Birchip	R	03 5492 2378
Bridgewater Farmware	Bridgewater	R	03 5437 3004
McPherson WG and SF	Brim	R	03 5390 4210
Casterton Agricultural Machinery Sales & Service	Casterton	R	03 5581 1255
Delta Ag Charlton	Charlton	R	03 5491 1976
Brandt Equipment Colac	Colac	D	03 5231 6320
Damm's Auto	Corryong	R	02 6076 1267
CLAAS Harvest Centre Echuca	Echuca	D	03 5480 1855
Nutrien Euroa	Euroa	R	03 5795 2535
Geelong Rural Pty Ltd	Geelong	D	03 5222 4733
Gisborne Power Products	Gisborne	R	03 5428 8844
Brandt Equipment Hamilton	Hamilton	D	03 5572 3522
Westernport Tractors	Hastings	R	03 5979 2547
Heywood Ag Sales & Service	Heywood	P	03 5527 2266
Emmetts Horsham	Horsham	D	03 5382 9400
Wimmera Ag & Equipment Pty Ltd	Kaniva	P	03 5392 2722
L & G Sheppard & Sons	Kyneton	R	03 5422 1821
Brandt Equipment Knoxfield	Knoxfield	D	03 9763 8255
Gorst Rural	Lake Bolac	P	03 5350 2440
Brandt Equipment Leongatha	Leongatha	D	03 5667 6600
Nutrien Leongatha	Leongatha	R	03 5662 2291
Brandt Equipment Lillydale	Lillydale	D	03 9765 0166
Brownwigg Maffra	Maffra	R	03 5141 1544
Brandt Equipment Maffra	Maffra	D	03 5147 1122
Mansfield Power Ag	Mansfield	R	03 5775 2711
Brownwigg Meeniyan	Meeniyan	R	03 5664 0265
Hewitt and Whitty	Melton	R	03 9743 5644
Woolabrai Pty Ltd	Meredith	R	03 5286 1223
Haeuslers Mildura	Mildura	D	03 5055 0600
Murrabit Trading Ltd	Murrabit	R	03 5457 2235
Tafco Rural Supplies	Myrtleford	R	03 5752 1800
Westvic Spares	Nhill	P	03 5391 3267
Naturelinks Landscape Management	North Melbourne	R	03 9867 5447
Brown Wigg Officer	Officer	R	03 5942 1056
Brandt Equipment Pakenham	Pakenham	R	03 5941 5966
Miller Ag Supplies Pty Ltd	Pyramid Hill	D	03 5455 7306
GJ and JS Roll	Rainbow	P	03 5395 7227

Western Plains Motors	Rokewood	D	03 5346 1223
Emmetts Rupanyup	Rupanyup	D	03 5385 5600
Brownwigg Sale	Sale	R	03 5144 4441
Haeuslers Sea Lake	Sea Lake	D	03 5070 3400
Seymour Ag Supplies	Seymour	R	03 5792 1855
Nutrien Seymour	Seymour	R	03 5792 1733
Nutrien Shepparton	Shepparton	R	03 5833 0222
Goldacres Sprayer Centre	St Arnaud	G	03 5477 3999
Driscoll Ag	St Arnaud	D	03 5495 1166
Stawell Farm Supplies	Stawell	R	03 5358 4071
Brandt Equipment Sunshine	Sunshine	D	03 9363 8100
Advanced Ag Technology	Swan Hill	D	0438 412 573
Brandt Equipment Terang	Terang	D	03 5592 2388
Sota Tractors	Thomastown	R	1300 767 297
Brownwigg Traralgon	Traralgon East	D	03 5174 2955
Day's Motorcycle & Power Equipment	Wallan	R	03 5783 3500
Poole & Jackson	Walpeup	P	03 5094 1347
North East Ag & Industrial	Wangaratta	R	03 5721 6002
Emmetts Warracknabeal	Warracknabeal	D	03 5398 0700
Brownwigg Warragul	Warragul	R	03 5623 6911
Vin Rowe Farm Machinery	Warragul	D	03 5623 1362
Agrimac	Warrnambool	P	03 5562 5555
Winchelsea Trading	Winchelsea	R	03 5267 2092
Nutrien Wonthaggi	Wonthaggi	R	03 5672 2512
Brownwigg Yarram	Yarram	R	03 5182 5148
Dindi Ag	Yea	R	03 5797 2275

## NEW SOUTH WALES

Marks Spray Barn	Albury	D	02 6025 8862
Watson Tractors Pty Ltd	Bathurst	D	02 6331 1978
Dawmac Industries Pty Ltd	Berrigan	D	03 5885 2382
Nutrien Bombala	Bombala	R	02 6458 3422
Nutrien Daniel Walker	Braidwood	D	02 4842 2405
Easy Pet Supplies	Caringbah	R	1300 667 664
Southern Service Centre	Cooma	R	02 6452 1605
Nutrien Cooma	Cooma	D	02 6452 6565
JGW Harvest and Tillage Support Cowra	Cowra	D	02 6341 1821
Nutrien Crookwell	Crookwell	D	02 4832 1122
Hewitts Ag & Plant Repairs	Crookwell	P	02 4832 1377
Dillion Rural	Cundletown	R	02 6553 8885
Nutrien Delegate Retail Store	Delegate	R	02 6458 8004
Taskers Garage	Deniliquin	D	03 5881 2176
Ag Superstore	Dubbo	R	1300 326 453
Sprayer Barn Dubbo	Dubbo	D	02 6882 0313
JDS Industries Pty Ltd	Finley	P	03 5883 1077
Dillon Rural	Gloucester	R	02 6553 8885
Nutrien Goulburn	Goulburn	R	02 4824 1433
Guidolin Agrimac	Griffith	D	02 6964 3400
JJS Glass and Co	Juneee	D	02 6924 1633
WJ Matthews	Moree	D	02 6752 2044
Sprayer Barn Moree	Moree	P	02 6752 4700

Nutrien Moss Vale	Moss Vale	D	02 4869 6300
Armour Group Moss Vale	Moss Vale	R	02 4862 9080
Double R Pty Ltd	Mudgee	R	02 6372 3257
Dickins Ag	Mulwala	D	03 5742 2423
Sprayer Barn Narrabri	Narrabri	D	02 6792 1242
WJ Matthews Narrabri	Narrabri	D	02 6792 1988
SEMCO Equipment Sales	North St Marys	P	02 9833 6000
Tractors North	Murwillum	R	02 6672 3873
Nyngan Rural Agencies	Nyngan	R	02 6832 1577
Harts Machinery	Orange	P	0497 291 644
Sprayer Barn Parkes	Parkes	D	02 6862 5256
Double R Pty Ltd	Rutherford	R	02 6571 4249
Dillon Rural	Taree	R	02 6553 8885
G & M Ag Machinery & Repair	Temora	P	0428 780 226
Riverina Co-Op	Wagga Wagga	D	02 6937 9200
Prestige Mowers	Wagga Wagga	P	02 6971 0089
Walcha Veterinary Supplies	Walcha	D	02 6777 2588
Wyalong Machinery	Wyalong	D	02 6972 4555
Nutrien Yass	Yass	D	02 6226 1777

#### SOUTH AUSTRALIA

Goldacres Sprayer Centre	Bordertown	G	08 8752 0895
Ceduna Machinery	Ceduna	D	08 8625 2999
WSB Distributors Clare	Clare	D	08 8842 2177
Bascombe Auto Ag	Cummins	D	08 8676 2980
WSB Distributors Jamestown	Jamestown	D	08 8664 0101
Emmetts Kadina	Kadina	D	08 8828 0200
Castec Rural Supplies	Kingston SE	D	08 8767 2499
Nutrien Lameroo	Lameroo	P	08 8576 3132
Sebastapol Machinery	Millicent	D	08 8733 4899
Nutrien Millicent	Millicent	P	08 8733 2733
Castec Rural Supplies	Mt Gambier	R	08 8723 3744
Emmetts Murray Bridge	Murray Bridge	D	08 8548 9277
Castec Rural Supplies	Naracoorte	R	08 8762 0266
Emmetts Oakbank	Oakbank	P	08 8388 4111
Emmetts Parndana	Parndana	P	08 8559 6066
Castec Rural Supplies	Penola	R	08 8737 3333
Emmetts Pinnaroo	Pinnaroo	P	08 8577 8141
Emmetts Renmark	Renmark	P	08 8586 3688
Emmetts Roseworthy	Roseworthy	P	08 8524 8131
Ramsey Bros	Riverton	P	08 8847 2804
WSB Distributors Saddleworth	Saddleworth	R	08 8847 4412
ND and JA Giles	Strathalbyn	D	08 8536 3455
Goldinna Trading	Wudinna	D	08 8680 2088

#### QUEENSLAND

Agnorth Pty Ltd	Ayr	D	07 4783 3000
Milne Bros Biloela	Biloela	D	07 4992 1099
Coast to Country Tractors	Browns Plains	R	07 3133 3554
Nuleaf	Bungalow	R	07 4035 2670
Tractors North	Currumbin Waters	R	07 5534 5706

CLAAS Harvest Centre	Dalby	D	07 4662 2278
Farm and Construction Products	Emerald	D	07 4987 5795
Black Truck & Ag	Gatton	R	07 5462 1266
Coast to Country Tractors	Hillcrest	R	07 3133 3554
Ingham Irrigation and Plumbing supplies	Ingham	R	07 4776 3163
The Water Shed	Innisfail	R	07 4061 6177
Nutrien Mackay	MacKay	R	07 4952 4377
Mossman Agriculture Services	Mossman	R	07 4098 2286
Terrequeipe Pty Ltd	Paget	D	07 4936 3577
Lindenberg and Co Pty Ltd	Pittsworth	R	07 4693 1322
Milne Bros	Proserpine	R	07 4945 1231
Farm and Garden Products Pty Ltd	Rockhampton	D	07 4926 1414
Milne Bros Equipment	Rockhampton	R	07 4992 1099
St George Machinery	St George	R	07 4625 3633
NQ Agricultural Services	Tolga	D	07 4095 4455
Black Truck & Ag	Toowoomba	P	07 4631 4200
Simpson Sprayers Pty Ltd	Toowoomba	R	07 4634 4000
The Water Shed - Tully	Tully	R	07 4068 2191

#### WESTERN AUSTRALIA

Wight & Emmett	Bunbury	R	08 9721 2104
AllMakes Ag Geraldton	Geraldton	D	0448 377 076
Goldacres Sprayer Centre	Goomalling	G	08 9629 1277
Double R Karratha	Karratha	R	08 9185 2699
E & M J Rosher Pty Ltd	Kenwich	R	08 9459 4166
Ord Agricultural Equipment	Kununurra	D	08 9168 3228
Wheatbelt Equipment	Merredin	D	08 6014 6000
Sprayline Spraying Equipment	Midland	R	08 9250 6100
Geoff Perkins Farm Machinery Centre	Narrogin	D	08 9881 2222
Fred Hopkins WA	Welshpool	R	08 9351 9000

#### TASMANIA

Southern Machinery	Kingston	D	03 6229 1133
Sprayer Barn Tasmania	Latrobe	D	03 6426 2449
Agri Machinery Pty Ltd	Ulverstone	D	03 6425 7199

#### NORTHERN TERRITORY

Katherine Ag	Katherine	R	0417 789 054
--------------	-----------	---	--------------

#### NEW ZEALAND

David Ensor Machinery	Gore	D	03 422 2289
Spray Equip Ltd	Normanby	R	07 544 5673

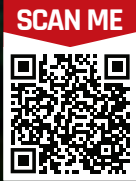
D - Dealer (All Products)

R - Reseller (Parts & Service / 2500 litres or less)

P - Parts / Service

G - Goldacres Sprayer Centre

# Merchandise



## Black Tucker Cap



Black  
**\$20**  
GA5072675

## Green Trucker Cap



Green  
**\$20**  
GA5078663

## Pink Trucker Cap



Pink  
**\$20**  
GA9500033

## Hoodies



XS - GA9500034  
S - GA9500035  
M - GA9500036  
L - GA9500037  
XL - GA9500038  
2XL - GA9500039

Black  
**\$55**

## Black Bucket Hat



S/M - GA5072680  
L/XL - GA5072685

Black  
**\$20**

## Pink Bucket Hat



L/XL - GA9500032

Pink  
**\$20**

## Green Beanie



Winter Warmer  
**\$16**  
GA9500017

## Stubbie Holder



Keep it chilled  
**\$3.50**  
GA4064870

## Gloves



S - GA5078641  
M - GA5078642  
L - GA5078643

All Purpose  
**\$11**